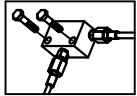
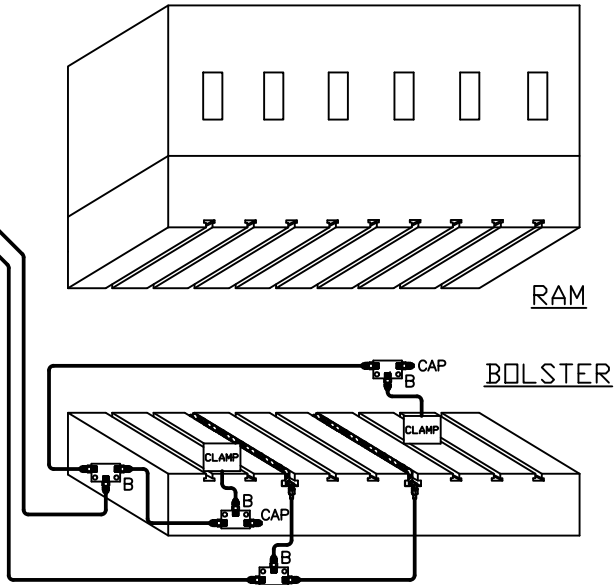
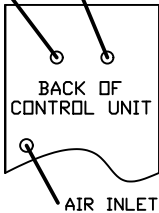


Mounting Example



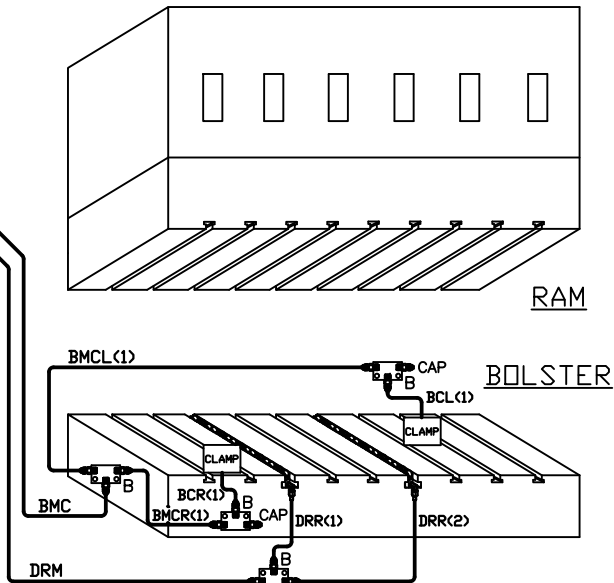
TO CONTROLLER BLUE CLAMP (ZONE 1)  
TO CONTROLLER YELLOW LIFTER (ZONE 2)

YELLOW LIFTER  
BLUE CLAMP



TO CONTROLLER BLUE CLAMP (ZONE 1)  
TO CONTROLLER YELLOW LIFTER (ZONE 2)

BOLSTER MAIN CLAMP (BMC)



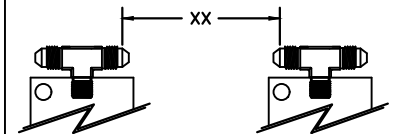
DI-002S-2DL INSTALLATION KIT

ILLUSTRATION	QTY	PFA-ACC P/N	DESCRIPTION	
B	4	HC14649	MANIFOLD, FULL ASS'Y	
	BOM (EACH)			
	1	HB10680	MANIFOLD CONNECTOR, STRAIGHT	
	3	FF00019 FF01635	CAP, 37' FLARE	
C	1	HC10050	MANIFOLD, FULL ASS'Y	
	BOM (EACH)			
	1	HB10050	MANIFOLD CONNECTOR, ELBOW 90°	
	4	FF00083 FF00070 FF01635	CONNECTOR, ELBOW, 45° CAP, 37' FLARE	
E	20	FA05788	JIFFY CLIP (NOT SHOWN)	
	F	20	FA30406	1/4"-20 BTHD SCREW x 3/8" LONG (NOT SHOWN)

ILLUSTRATION	QTY	PFA-ACC P/N	DESCRIPTION
	1	14499-XX	NOTE: HOSE AND LOOSE FITTINGS SHIPPED IN BULK. HOSE ASSEMBLY/FABRICATION BY CUSTOMER AT THEIR FACILITY. XX = LENGTH IN INCHES
			BMC-XX
			BMCR(1)-XX
			BCR(1)-XX
			BMCL(1)-XX
			BCL(1)-XX
			DRM-XX
			DRR(1)-XX
			DRR(2)-XX

NOTE: WHEN SHIPPING BULK HOSE AND FITTINGS, SEND THE FOLLOWING QUANTITY OF ITEMS; HOSE, PART #H014500, 45' FITTINGS, PART #FF14502, 18 PIECES

HOW TO MEASURE HOSE LENGTHS:



IMPORTANT! LEAVE ROOM FOR PRESS AND CLAMP MOVEMENT!

DI-002S-2DL

PFA, INC.	
1110 VIBERTS BLVD, GERMANTOWN, VI. 23062	
262-250-4410, 262-250-4469 (Fax), www.pfa-inc.com	
DATE	7-19-17
SCALE	N.T.S.
SHEET	1 of 1
INSTALLATION KIT	
DRAWING NUMBER DI-002S-2DL	