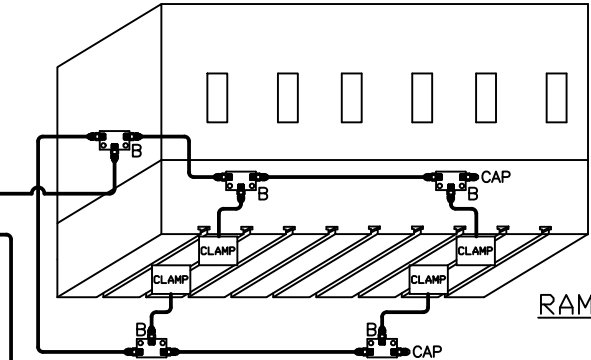
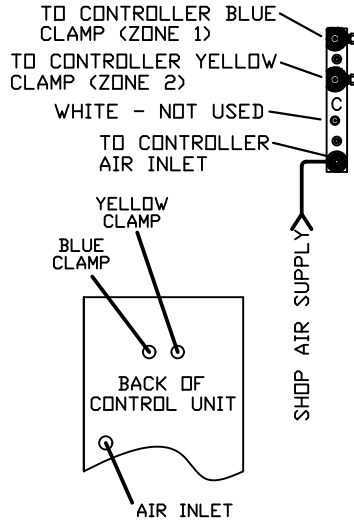
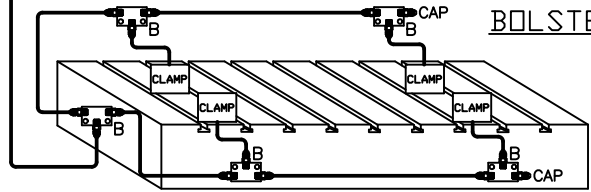


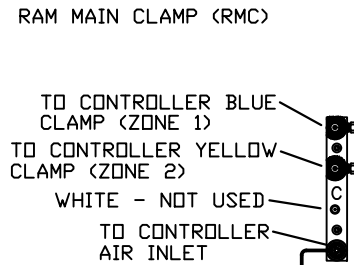
MOUNTING EXAMPLE



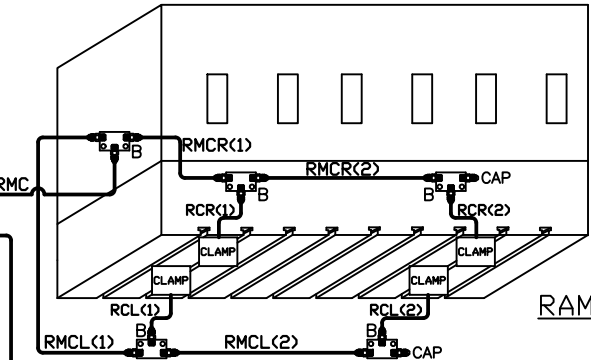
RAM



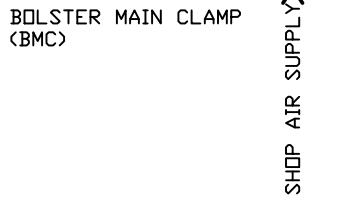
BOLSTER



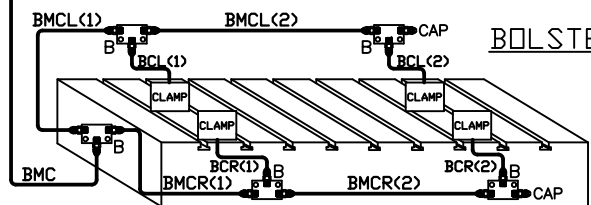
RAM MAIN CLAMP (RMC)



RAM



BOLSTER MAIN CLAMP (BMC)

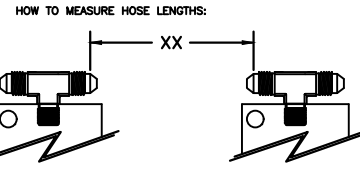


BOLSTER

DI-4L4L-R INSTALLATION KIT

ILLUSTRATION	QTY	PFA-ACC P/N	DESCRIPTION	ILLUSTRATION	QTY	PFA-ACC P/N	DESCRIPTION
B	10	HC14649	MANIFOLD, FULL ASSY		1	14499-XX	NOTE: HOSE AND LOOSE FITTINGS SHIPPED IN BULK. HOSE ASSEMBLY/FABRICATION BY CUSTOMER AT THEIR FACILITY
	BOM (EACH)						XX = LENGTH IN INCHES
C	1	HL02711BY	MANIFOLD, FULL ASSY	RMC-XX	1	14499-XX	XX =
	BOM (EACH)			RMCR(1)-XX	1	14499-XX	XX =
	1	HB02710	MANIFOLD CONNECTOR, 1/8M x JIC	RMCR(2)-XX	1	14499-XX	XX =
	2	FF00019	CONNECTOR, 1/8M x 1/8M	RMCL(1)-XX	1	14499-XX	XX =
	2	FF00011	CONNECTOR, 1/8M x 1/8M	RMCL(2)-XX	1	14499-XX	XX =
	2	FF00024	CONNECTOR, ODC MALE	RCR(1)-XX	1	14499-XX	XX =
	1	FF01828	CONNECTOR, AIR CPLR	RCR(2)-XX	1	14499-XX	XX =
	2	2214763	STICKER, BLUE	RCL(1)-XX	1	14499-XX	XX =
	0	2214794	STICKER, WHITE	RCL(2)-XX	1	14499-XX	XX =
	2	2214792	STICKER, YELLOW	BMC-XX	1	14499-XX	XX =
D	2	FF01835	CAP, 37" FLARE	BMCR(1)-XX	1	14499-XX	XX =
	2	FA08200	1/4-20 HEX SCREW x 1 1/4" LONG	BMCR(2)-XX	1	14499-XX	XX =
	2	FA08200	1/4-20 BUTT HD SCREW x 1 1/2" LONG	BMCL(1)-XX	1	14499-XX	XX =
	2	FA08200	1/4-20 BUTT HD SCREW x 1 1/2" LONG	BMCL(2)-XX	1	14499-XX	XX =
E	8	FA08237	DOUBLE JIFFY CLIP (NOT SHOWN)	BCR(1)-XX	1	14499-XX	XX =
	10	FA05768	JIFFY CLIP (NOT SHOWN)	BCR(2)-XX	1	14499-XX	XX =
F	18	FA30406	1/4-20 BTHD SCREW x 3/8" LONG (NOT SHOWN)	BCL(1)-XX	1	14499-XX	XX =
				BCL(2)-XX	1	14499-XX	XX =

NOTE: WHEN SHIPPING BULK HOSE AND FITTINGS, SEND THE FOLLOWING QUANTITY OF ITEMS:
HOSE, PART #HO14500, 100 FEET
FITTINGS, PART #FF14502, 40 PIECES



DI-4L4L-R

MEN 6-18-09 SCALE N.T.S. SHEET 1 of 1	PFA, INC. 818 W/8251 SUNSHINE DRIVE, GERMANTOWN, VI. 53082 262-230-4410, 262-230-4409 (fax), pfa-inc.com
	MEN 6-18-09
	INSTALLATION KIT
	DRAWING NUMBER DI-4L4L-R