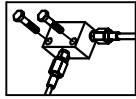
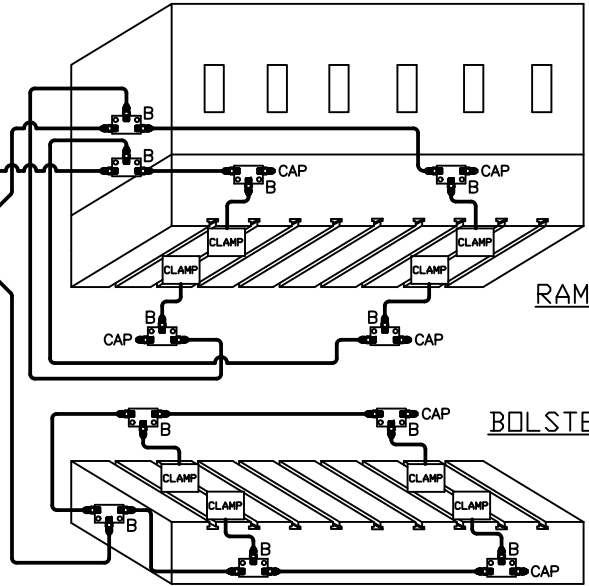
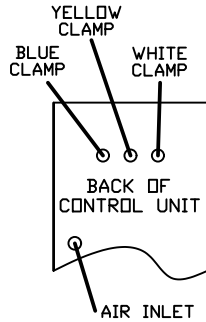


MOUNTING EXAMPLE

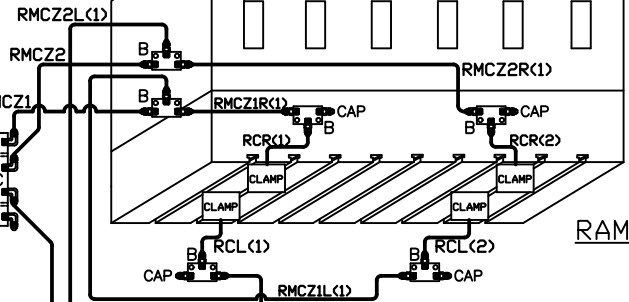


TO CONTROLLER BLUE CLAMP (ZONE 1)
 TO CONTROLLER YELLOW CLAMP (ZONE 2)
 TO CONTROLLER WHITE CLAMP (ZONE 3)
 NOT USED

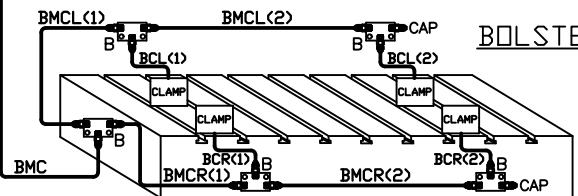


RAM MAIN CLAMP (RMC)

TO CONTROLLER BLUE CLAMP (ZONE 1)
 TO CONTROLLER YELLOW CLAMP (ZONE 2)
 TO CONTROLLER WHITE CLAMP (ZONE 3)
 NOT USED



BOLSTER MAIN CLAMP (BMC)



DI-4X4S INSTALLATION KIT

ILLUSTRATION	QTY	PFA-ACC P/N	DESCRIPTION	ILLUSTRATION	QTY	PFA-ACC P/N	DESCRIPTION
B	11	HC14649	MANIFOLD, FULL ASSY				NOTE: HOSE AND LOOSE FITTINGS SHIPPED IN BULK, HOSE ASSEMBLY/FABRICATION BY CUSTOMER AT THEIR FACILITY XX = LENGTH IN INCHES
	BOM (EACH)						
	1	HB10680	MANIFOLD CONNECTOR, STRAIGHT CAP, 3/7 FLARE				
	3	FF00119					
	1	FF01635					
	2	FAB0200	1/4-20 HEX SCREW x 1 1/4" LONG				
	BOM (EACH)						
C	1	HC10050	MANIFOLD, FULL ASSY				
	BOM (EACH)						
	1	HB10050	MANIFOLD CONNECTOR, ELBOW 90°				
	4	FF00083	CONNECTOR, ELBOW, 45°				
	4	FF00070	CONNECTOR, ELBOW, 45°				
	4	FF01635	CAP, 3/7 FLARE				
	2	2214783	STICKER, BLUE				
	2	2214792	STICKER, YELLOW				
	2	2214794	STICKER, WHITE				
	2	2214791	STICKER, BLACK				
	2	FAB0224	1/4-20 HEX SCREW x 1 1/2" LONG				
	BOM (EACH)						
D	12	FA06237	DOUBLE JIFFY CLIP (NOT SHOWN)				
E	8	FA05766	JIFFY CLIP (NOT SHOWN)				
F	20	FA30406	1/4-20 BTHD SCREW x 3/8" LONG (NOT SHOWN)				
NOTE: WHEN SHIPPING BULK HOSE AND FITTINGS, SEND THE FOLLOWING QUANTITY OF ITEMS: HOSE, PART #HO14500, 140 FEET FITTINGS, PART #FF14502, 40 PIECES							

DI-4X4S

PFA-ACC MANIFOLD, FULL ASSY	HEN 6-16-09	PFA, INC. 1119 VIBERT BLVD, GERMANTOWN, VI. 53022 262-250-4410, 262-250-4409 (fax), pfa-inc.com
	SCALE N.T.S.	INSTALLATION KIT
	SHEET 1 of 1	DRAWING NUMBER DI-4X4S