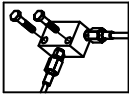
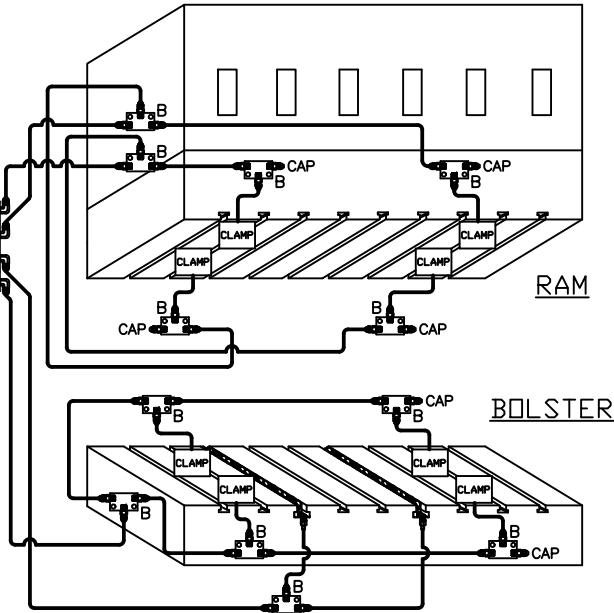
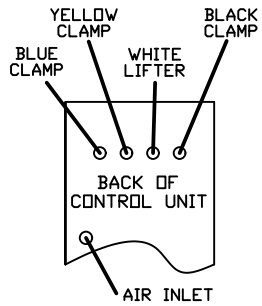


MOUNTING EXAMPLE



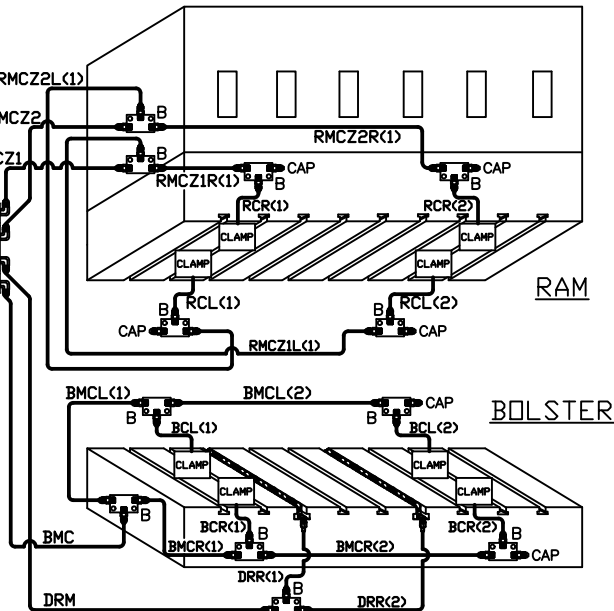
TO CONTROLLER BLUE CLAMP (ZONE 1)
 TO CONTROLLER YELLOW CLAMP (ZONE 2)
 TO CONTROLLER WHITE LIFTER (ZONE 3)
 TO CONTROLLER BLACK CLAMP (ZONE 4)



RAM MAIN CLAMP (RMC)

TO CONTROLLER BLUE CLAMP (ZONE 1)
 TO CONTROLLER YELLOW CLAMP (ZONE 2)
 TO CONTROLLER WHITE LIFTER (ZONE 3)
 TO CONTROLLER BLACK CLAMP (ZONE 4)

BOLSTER MAIN CLAMP (BMC)



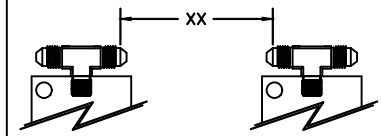
DI-4X4S-2DL INSTALLATION KIT

ILLUSTRATION	QTY	PFA-ACC P/N	DESCRIPTION
B	12	HC14649	MANIFOLD, FULL ASSY
	BOM (EACH)		
	1	HB10680	MANIFOLD CONNECTOR, STRAIGHT CAP, 37° FLARE
	3	FF00119	
	1	FF01835	
	2	FA80200	1/4-20 HEX SCREW x 1 1/4" LONG
C	1	HC10050	MANIFOLD, FULL ASSY
	BOM (EACH)		
	1	HB10050	MANIFOLD CONNECTOR, ELBOW 90°
	4	FF00083	CONNECTOR, ELBOW, 45°
	4	FF00070	CAP, 37° FLARE
	4	FF01835	
	2	2214793	STICKER, BLUE
	2	2214792	STICKER, YELLOW
	2	2214794	STICKER, WHITE
	2	2214791	STICKER, BLACK
	2	FA80224	1/4-20 HEX SCREW x 1 1/2" LONG
D	13	FA8237	DOUBLE JIFFY CLIP (NOT SHOWN)
E	14	FA05768	JIFFY CLIP (NOT SHOWN)
F	27	FA30406	1/4-20 BTHD SCREW x 3/8" LONG (NOT SHOWN)

ILLUSTRATION	QTY	PFA-ACC P/N	DESCRIPTION
			NOTE: HOSE AND LOOSE FITTINGS SHIPPED IN BULK. HOSE ASSEMBLY/FABRICATION BY CUSTOMER AT THEIR FACILITY XX = LENGTH IN INCHES
RMCZ1-XX	1	14499-XX	XX =
RMCZ2-XX	1	14499-XX	XX =
RMCZ1R(1)-XX	1	14499-XX	XX =
RMCZ1L(1)-XX	1	14499-XX	XX =
RMCZ2R(1)-XX	1	14499-XX	XX =
RMCZ2L(1)-XX	1	14499-XX	XX =
RCR(1)-XX	1	14499-XX	XX =
RCR(2)-XX	1	14499-XX	XX =
RCL(1)-XX	1	14499-XX	XX =
RCL(2)-XX	1	14499-XX	XX =
BMC-XX	1	14499-XX	XX =
BMC(1)-XX	1	14499-XX	XX =
BMC(2)-XX	1	14499-XX	XX =
BMCL(1)-XX	1	14499-XX	XX =
BMCL(2)-XX	1	14499-XX	XX =
BCR(1)-XX	1	14499-XX	XX =
BCR(2)-XX	1	14499-XX	XX =
BCL(1)-XX	1	14499-XX	XX =
BCL(2)-XX	1	14499-XX	XX =
DRM-XX	1	14499-XX	XX =
DRR(1)-XX	1	14499-XX	XX =
DRR(2)-XX	1	14499-XX	XX =

NOTE: WHEN SHIPPING BULK HOSE AND FITTINGS, SEND THE FOLLOWING QUANTITY OF ITEMS; HOSE, PART #HO14500, 190' FITTINGS, PART #FF14502, 46 PIECES

HOW TO MEASURE HOSE LENGTHS:



IMPORTANT! LEAVE ROOM FOR PRESS AND CLAMP MOVEMENT!

DI-4X4S-2DL

9-4-20 REV. A DATE: 06-16-09 AUTHOR: PFA-INC CHECKED: PFA-INC	HEN 6-16-09	PFA, INC. 1118 W1821 SUNSHEN DRIVE, GERMANTOWN, VI 23022 262-250-4410, 262-250-4409 (fax), pfa-inc.com
	SCALE N.T.S.	INSTALLATION KIT
	SHEET 1 of 1	DRAWING NUMBER DI-4X4S-2DL