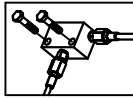
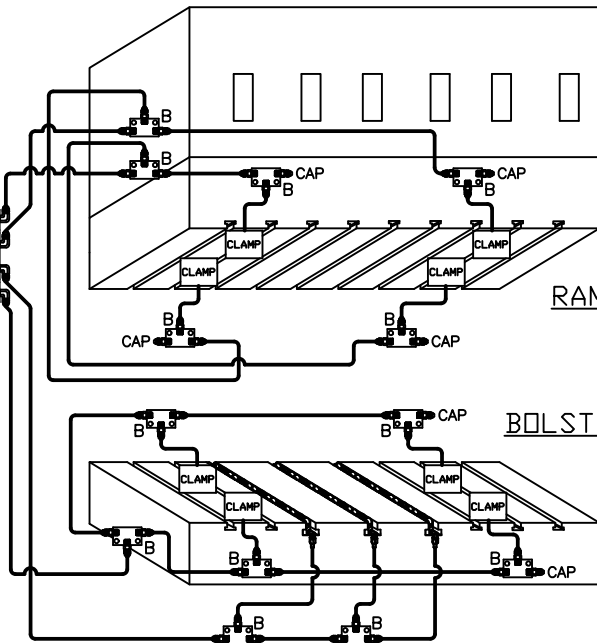
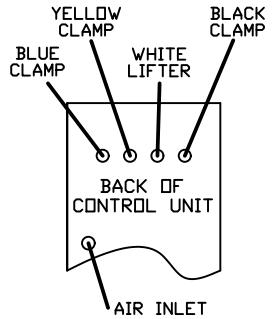


Mounting Example



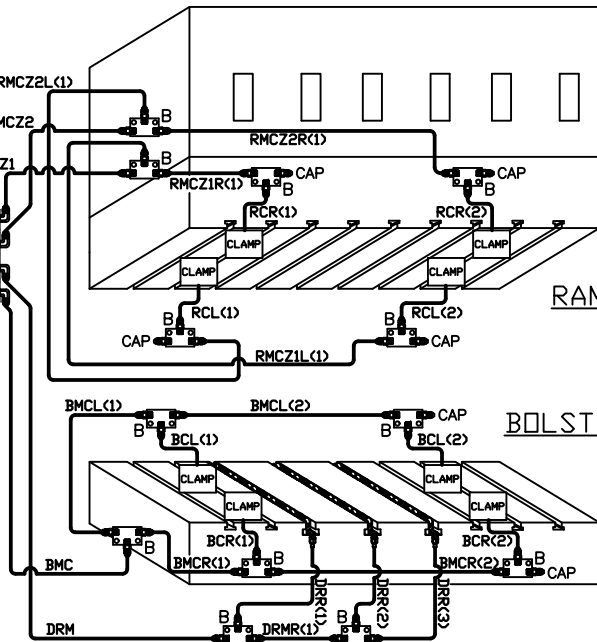
TO CONTROLLER BLUE CLAMP (ZONE 1)
 TO CONTROLLER YELLOW CLAMP (ZONE 2)
 TO CONTROLLER WHITE LIFTER (ZONE 3)
 TO CONTROLLER BLACK CLAMP (ZONE 4)



RAM MAIN CLAMP (RMC)

TO CONTROLLER BLUE CLAMP (ZONE 1)
 TO CONTROLLER YELLOW CLAMP (ZONE 2)
 TO CONTROLLER WHITE LIFTER (ZONE 3)
 TO CONTROLLER BLACK CLAMP (ZONE 4)

BOLSTER MAIN CLAMP (BMC)



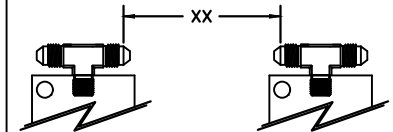
DI-4X4S-3DL INSTALLATION KIT

ILLUSTRATION	QTY	PFA-ACC P/N	DESCRIPTION
B	13	HC14649	MANIFOLD, FULL ASSY
	BOM (EACH)		
	1	HB10680	MANIFOLD CONNECTOR, STRAIGHT CAP, 3" FLARE
	3	FF00019	
	1	FF01835	
C	2	FAB0200	1/4"-20 HEX SCREW x 1 1/4" LONG
	1	HC10050	MANIFOLD, FULL ASSY
	BOM (EACH)		
	1	HB10050	MANIFOLD CONNECTOR, ELBOW 90°
	4	FF00070	CONNECTOR, ELBOW, 45°
	4	FF01835	CAP, 3" FLARE
	2	2214783	STICKER, BLUE
	2	2214792	STICKER, YELLOW
	2	2214794	STICKER, WHITE
	2	2214791	STICKER, BLACK
D	2	FAB0224	1/4"-20 HEX SCREW x 1 1/2" LONG
	14	FA08237	DOUBLE JIFFY CLIP (NOT SHOWN)
E	16	FA05768	JIFFY CLIP (NOT SHOWN)
	30	FA30406	1/4"-20 8THD SCREW x 3/8" LONG (NOT SHOWN)

ILLUSTRATION	QTY	PFA-ACC P/N	DESCRIPTION	
			NOTE: HOSE AND LOOSE FITTINGS SHIPPED IN BULK. HOSE ASSEMBLY/FABRICATION BY CUSTOMER AT THEIR FACILITY XX = LENGTH IN INCHES	
		1	14499-XX	XX =
		1	14499-XX	XX =
		1	14499-XX	XX =
		1	14499-XX	XX =
		1	14499-XX	XX =
		1	14499-XX	XX =
		1	14499-XX	XX =
		1	14499-XX	XX =
		1	14499-XX	XX =
		1	14499-XX	XX =
		1	14499-XX	XX =
		1	14499-XX	XX =
		1	14499-XX	XX =
		1	14499-XX	XX =

NOTE: WHEN SHIPPING BULK HOSE AND FITTINGS, SEND THE FOLLOWING QUANTITY OF ITEMS:
 HOSE, PART #H014500, 190 FEET
 FITTINGS, PART #FF14502, 52 PIECES

HOW TO MEASURE HOSE LENGTHS:



IMPORTANT! LEAVE ROOM FOR PRESS AND CLAMP MOVEMENT!

DI-4X4S-3DL

		PFA, INC. 110 W8231 BUNSEN DRIVE, GERMANTOWN, VI. 53022 262-250-4410, 262-250-4469 (fax), www.pfa-inc.com
DATE	6-5-18	
SCALE	N.T.S.	INSTALLATION KIT
SHEET	1 of 1	DRAWING NUMBER DI-4X4S-3DL