

MOUNTING EXAMPLE

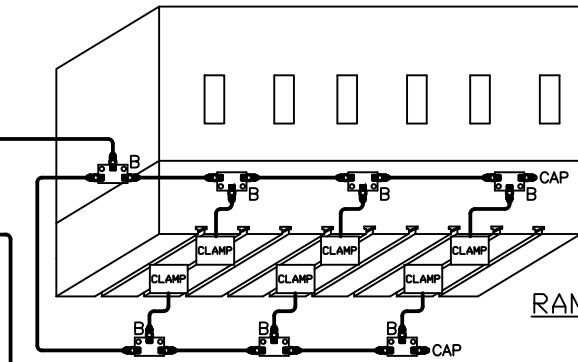
TO CONTROLLER BLUE CLAMP (ZONE 1)
TO CONTROLLER YELLOW CLAMP (ZONE 2)

NOT USED
NOT USED

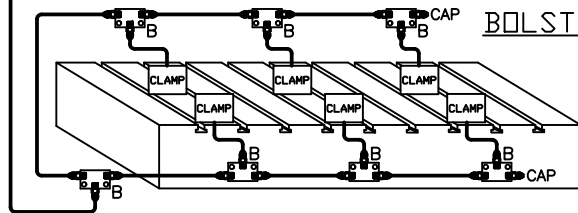
BLUE CLAMP
YELLOW CLAMP

BACK OF CONTROL UNIT

AIR INLET



RAM



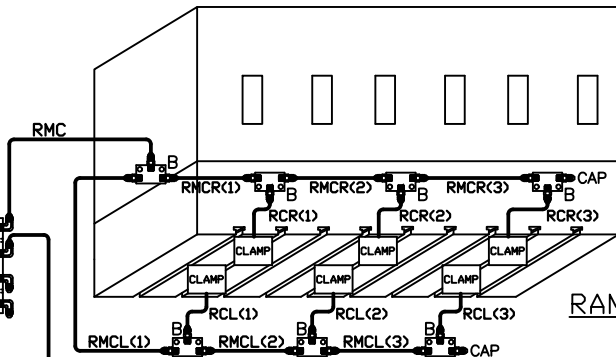
BOLSTER

RAM MAIN CLAMP (RMC)

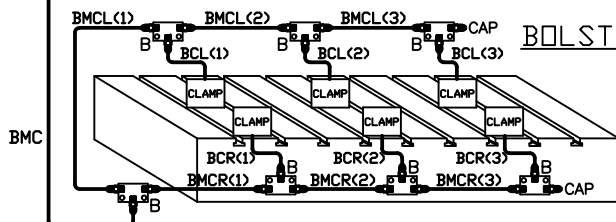
TO CONTROLLER BLUE CLAMP (ZONE 1)
TO CONTROLLER YELLOW CLAMP (ZONE 2)

NOT USED
NOT USED

BOLSTER MAIN CLAMP (BMC)



RAM



BOLSTER

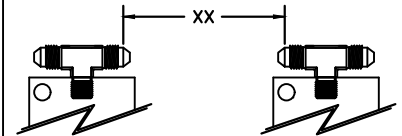
DI-6L6L INSTALLATION KIT

ILLUSTRATION	QTY	PFA-ACC P/N	DESCRIPTION
B	14	HC14849	MANIFOLD, FULL ASS'Y
	BOM (EACH)		
	1	HB10680 FF00019 FF01835	MANIFOLD CONNECTOR, STRAIGHT CAP, 37° FLARE
C	2	FAB0200	1/4"-20 HEX SCREW x 1 1/4" LONG
	1	HC10050	MANIFOLD, FULL ASS'Y
	BOM (EACH)		
	1	HB10050	MANIFOLD CONNECTOR, ELBOW 90°
	4	FF00083	CONNECTOR, ELBOW, 45°
	4	FF01835	CAP, 37° FLARE
	2	2214793	STICKER, BLUE
	2	2214792	STICKER, YELLOW
	2	2214794	STICKER, WHITE
	2	2214791	STICKER, BLACK
D	8	FA06237	DOUBLE JIFFY CLIP (NOT SHOWN)
	18	FA05768	JIFFY CLIP (NOT SHOWN)
E	26	FA30406	1/4"-20 ETHD SCREW x 3/8" LONG (NOT SHOWN)

ILLUSTRATION	QTY	PFA-ACC P/N	DESCRIPTION
			NOTE: HOSE AND LOOSE FITTINGS SHIPPED IN BULK. HOSE ASSEMBLY/FABRICATION BY CUSTOMER AT THEIR FACILITY. XX = LENGTH IN INCHES
	RMC-XX	1	14499-XX
	RMCR(1)-XX	1	14499-XX
	RMCR(2)-XX	1	14499-XX
	RMCR(3)-XX	1	14499-XX
	RMCL(1)-XX	1	14499-XX
	RMCL(2)-XX	1	14499-XX
	RMCL(3)-XX	1	14499-XX
	RRC(1)-XX	1	14499-XX
	RRC(2)-XX	1	14499-XX
RRC(3)-XX	1	14499-XX	
RCL(1)-XX	1	14499-XX	
RCL(2)-XX	1	14499-XX	
RCL(3)-XX	1	14499-XX	
BMC-XX	1	14499-XX	
BMCR(1)-XX	1	14499-XX	
BMCR(2)-XX	1	14499-XX	
BMCR(3)-XX	1	14499-XX	
BMCL(1)-XX	1	14499-XX	
BMCL(2)-XX	1	14499-XX	
BMCL(3)-XX	1	14499-XX	
BCR(1)-XX	1	14499-XX	
BCR(2)-XX	1	14499-XX	
BCR(3)-XX	1	14499-XX	
BCL(1)-XX	1	14499-XX	
BCL(2)-XX	1	14499-XX	
BCL(3)-XX	1	14499-XX	

NOTE: WHEN SHIPPING BULK HOSE AND FITTINGS, SEND THE FOLLOWING QUANTITY OF ITEMS; HOSE, PART #HO14500, 110 FEET FITTINGS, PART #FF14502, 54 PIECES

HOW TO MEASURE HOSE LENGTHS:



IMPORTANT: LEAVE ROOM FOR PRESS AND CLAMP MOVEMENT!

DI-6L6L

HEN 9-1-84, REV. A, REVISE BULK HOSE, ECM W/4-38	HEN 7-16-13	PFA, INC. M10 W18251 BUNSEN DRIVE, GERMANTOWN, VI. 53022 862-250-4410, 862-250-4499 (fax), pfa-inc.com
	SCALE N.T.S.	INSTALLATION KIT
	SHEET 1 of 1	DRAWING NUMBER DI-6L6L