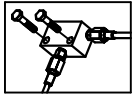
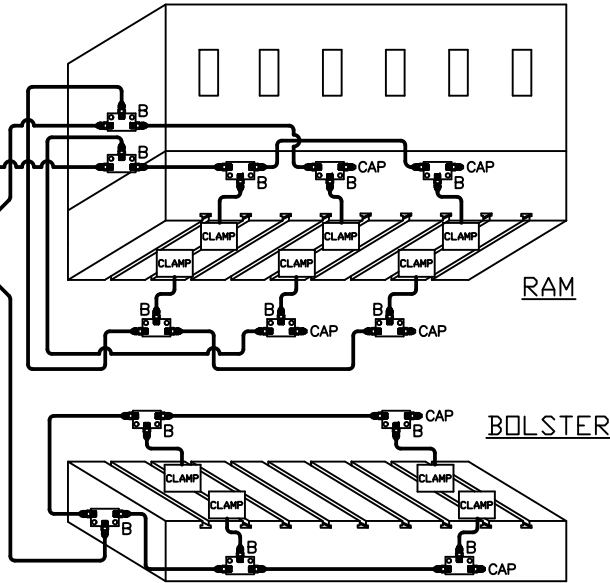
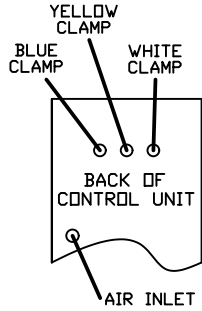


MOUNTING EXAMPLE



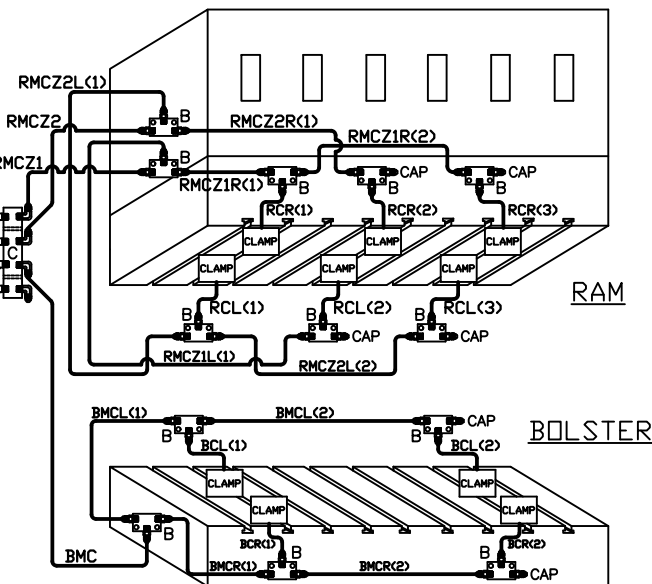
TO CONTROLLER BLUE CLAMP (ZONE 1)
 TO CONTROLLER YELLOW CLAMP (ZONE 2)
 TO CONTROLLER WHITE CLAMP (ZONE 3)
 NOT USED



RAM MAIN CLAMP (RMC)

TO CONTROLLER BLUE CLAMP (ZONE 1)
 TO CONTROLLER YELLOW CLAMP (ZONE 2)
 TO CONTROLLER WHITE CLAMP (ZONE 3)
 NOT USED

BOLSTER MAIN CLAMP (BMC)



DI-6X4S INSTALLATION KIT

ILLUSTRATION	QTY	PFA-ACC P/N	DESCRIPTION	ILLUSTRATION	QTY	PFA-ACC P/N	DESCRIPTION
B	13	HC14649	MANIFOLD, FULL ASSY		1	14499-XX	NOTE: HOSE AND LOOSE FITTINGS SHIPPED IN BULK. HOSE ASSEMBLY/FABRICATION BY CUSTOMER AT THEIR FACILITY. XX = LENGTH IN INCHES
	BOM (EACH)						
	1	HB10890 FF00019 FF01835	MANIFOLD CONNECTOR, STRAIGHT CAP, 37° FLARE				
C	1	HC10050	MANIFOLD, FULL ASSY		1	14499-XX	RMCZ1-XX
	BOM (EACH)						
	1	HB10050 FF00053 FF00070 FF01835	MANIFOLD CONNECTOR, ELBOW 90° CONNECTOR, ELBOW, 45° CAP, 37° FLARE				RMCZ2-XX
D	16	FA08237	DOUBLE JIFFY CLIP (NOT SHOWN)		1	14499-XX	RMCZ1R(1)-XX
	BOM (EACH)						
	1	2214793 2214792 2214794 2214791	STICKER, BLUE STICKER, YELLOW STICKER, WHITE STICKER, BLACK				RMCZ1R(2)-XX
E	16	FA05768	JIFFY CLIP (NOT SHOWN)		1	14499-XX	RMCZ2R(1)-XX
	BOM (EACH)						
	2	FA02224	1/4-20 HEX SCREW x 1 1/2" LONG				RMCZ2R(2)-XX
F	36	FA30406	1/4-20 BTHD SCREW x 3/8" LONG (NOT SHOWN)		1	14499-XX	RCL(1)-XX
	BOM (EACH)						
	1	FA02224	1/4-20 HEX SCREW x 1 1/2" LONG				RCL(2)-XX
				NOTE: WHEN SHIPPING BULK HOSE AND FITTINGS, SEND THE FOLLOWING QUANTITY OF ITEMS: HOSE, PART #HO14500, 160' FITTINGS, PART #FF14502, 50 PIECES			
				HOW TO MEASURE HOSE LENGTHS: 			
				IMPORTANT! LEAVE ROOM FOR PRESS AND CLAMP MOVEMENT!			

DI-6X4S

REV. A DATE PER DATE	HEW 7-16-09	PFA, INC. 1118 V18251 BUNSEN DRIVE, GERMANTOWN, VI. 23022 262-250-4410, 262-250-4409 (fax), pfa-inc.com
	SCALE N.T.S.	INSTALLATION KIT
	SHEET 1 of 1	DRAWING NUMBER DI-6X4S