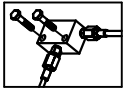
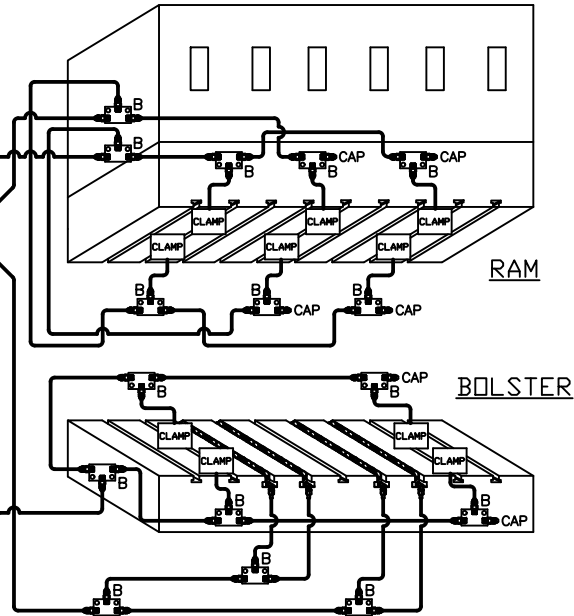
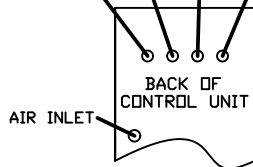


MOUNTING EXAMPLE



TO CONTROLLER BLUE CLAMP (ZONE 1)
 TO CONTROLLER YELLOW CLAMP (ZONE 2)
 TO CONTROLLER WHITE LIFTER (ZONE 3)
 TO CONTROLLER BLACK CLAMP (ZONE 4)

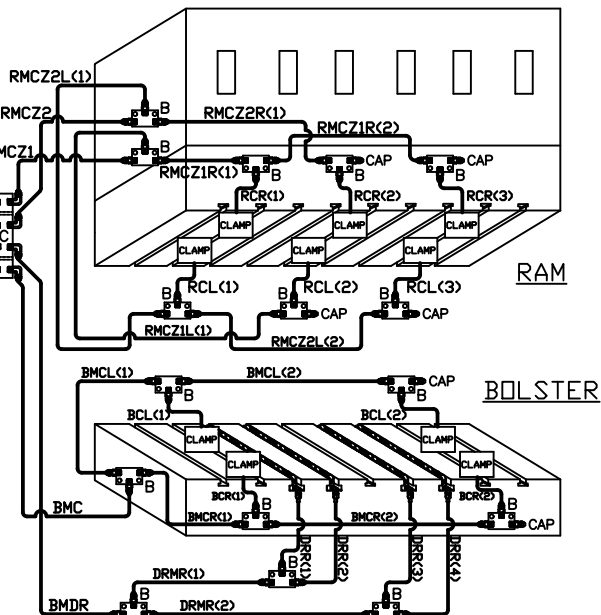
YELLOW CLAMP
 BLACK CLAMP
 BLUE CLAMP
 WHITE LIFTER



RAM MAIN CLAMP (RMC)

TO CONTROLLER BLUE CLAMP (ZONE 1)
 TO CONTROLLER YELLOW CLAMP (ZONE 2)
 TO CONTROLLER WHITE LIFTER (ZONE 3)
 TO CONTROLLER BLACK CLAMP (ZONE 4)

BOLSTER MAIN CLAMP (BMC)

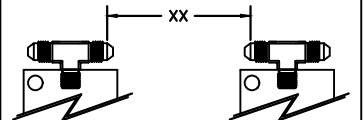


DI-6X4S-4DL INSTALLATION KIT

ILLUSTRATION	QTY	PFA-ACC P/N	DESCRIPTION	ILLUSTRATION	QTY	PFA-ACC P/N	DESCRIPTION
B	18	HC14648	MANFOLD, FULL ASSY		1	14489-XX	NOTE: HOSE AND LOOSE FITTINGS SHIPPED IN BULK. HOSE ASSEMBLY/FABRICATION BY CUSTOMER AT THEIR FACILITY. XX = LENGTH IN INCHES
	BOM (EACH)						
	1	HB10850	MANFOLD CONNECTOR, STRAIGHT				
	3	FF00019	CAP, 37° FLARE				
	2	FA80200	1/4"-20 HEX SCREW x 1 1/4" LONG				
C	1	HC10050	MANFOLD, FULL ASSY				
	BOM (EACH)						
	1	HB10050	MANFOLD CONNECTOR, ELBOW 90°				
	4	FF00023	CONNECTOR, ELBOW, 45°				
	4	FF00070	CAP, 37° FLARE				
	4	FF01835					
	2	2214783	STICKER, BLUE				
	2	2214782	STICKER, YELLOW				
	2	2214784	STICKER, WHITE				
	2	2214791	STICKER, BLACK				
	2	FA80224	1/4"-20 HEX SCREW x 1 1/2" LONG				
D	20	FA80237	DOUBLE JIFFY CLIP (NOT SHOWN)				
E	22	FA80768	JIFFY CLIP (NOT SHOWN)				
F	38	FA30406	1/4"-20 BTRD SCREW x 3/8" LONG (NOT SHOWN)				

NOTE: WHEN SHIPPING BULK HOSE AND FITTINGS, SEND THE FOLLOWING QUANTITY OF ITEMS:
 HOSE, PART #HD14500, 200'
 FITTINGS, PART #FF14502, 64 PIECES

HOW TO MEASURE HOSE LENGTHS:



IMPORTANT! LEAVE ROOM FOR PRESS AND CLAMP MOVEMENT!

DI-6X4S-4DL

REV. A DATE: 01-11-09 PFA-ACC P/N: 14489-XX	SCALE	N.T.S.	PFA, INC. 1618 VIRGIL BLVD. DRIVE, GERMANTOWN, VA 22062 858-250-4410, 858-250-4409 (fax), pfa-inc.com
	SHEET	1 of 1	INSTALLATION KIT
			DRAWING NUMBER
			DI-6X4S-4DL