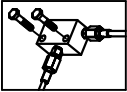
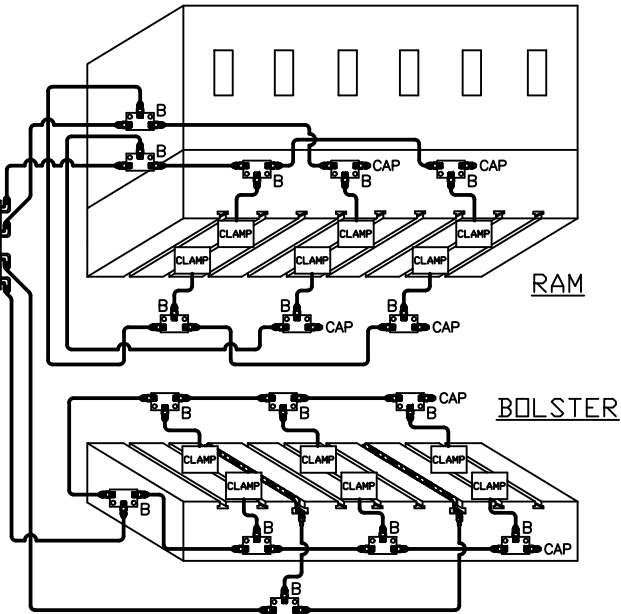
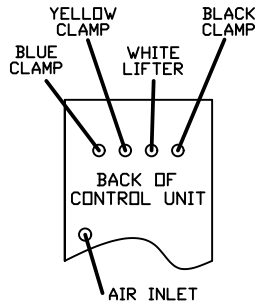


Mounting Example



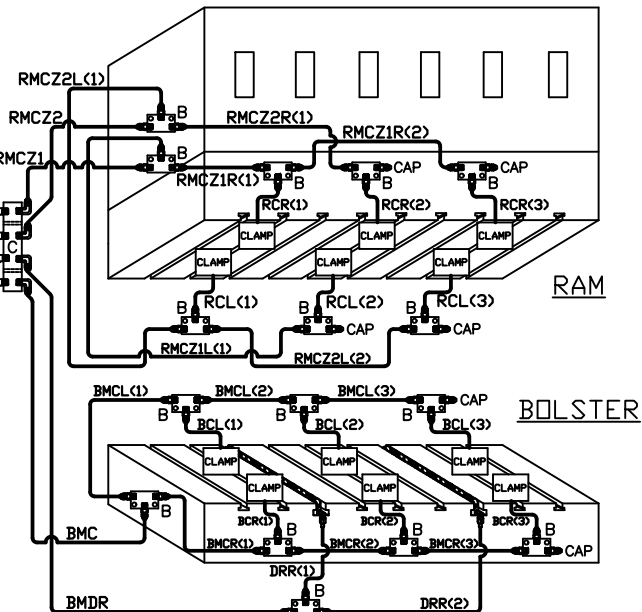
TO CONTROLLER BLUE CLAMP (ZONE 1)
 TO CONTROLLER YELLOW CLAMP (ZONE 2)
 TO CONTROLLER WHITE LIFTER (ZONE 3)
 TO CONTROLLER BLACK CLAMP (ZONE 4)



RAM MAIN CLAMP (RMC)

TO CONTROLLER BLUE CLAMP (ZONE 1)
 TO CONTROLLER YELLOW CLAMP (ZONE 2)
 TO CONTROLLER WHITE LIFTER (ZONE 3)
 TO CONTROLLER BLACK CLAMP (ZONE 4)

BOLSTER MAIN CLAMP (BMC)

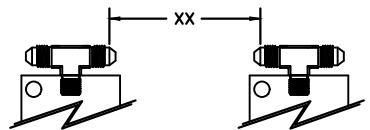


DI-6X6S-2DL INSTALLATION KIT

ILLUSTRATION	QTY	PFA-ACC P/N	DESCRIPTION	ILLUSTRATION	QTY	PFA-ACC P/N	DESCRIPTION
B	18	HC14649	MANIFOLD, FULL ASSY		1	14499-XX	NOTE: HOSE AND LOOSE FITTINGS SHIPPED IN BULK. HOSE ASSEMBLY/FABRICATION BY CUSTOMER AT THEIR FACILITY. XX = LENGTH IN INCHES
	BOM (EACH)						
	1	HB10690	MANIFOLD CONNECTOR, STRAIGHT CAP, 37° FLARE				
	1	FF00019					
	1	FF01835					
	2	FAB0200	1/4-20 HEX SCREW x 1 1/4" LONG				
C	1	HC10050	MANIFOLD, FULL ASSY	RMCZ1-XX	1	14499-XX	XX =
	BOM (EACH)			RMCZ2-XX	1	14499-XX	XX =
	1	HB10050	MANIFOLD CONNECTOR, ELBOW 90°	RMCZ1R(1)-XX	1	14499-XX	XX =
	4	FF00685	CONNECTOR, ELBOW, 45°	RMCZ1R(2)-XX	1	14499-XX	XX =
	4	FF00070	CONNECTOR, ELBOW, 45°	RMCZ2R(1)-XX	1	14499-XX	XX =
	4	FF01835	CONNECTOR, ELBOW, 45°	RMCZ2R(2)-XX	1	14499-XX	XX =
	2	2214793	STICKER, BLUE	RCR(1)-XX	1	14499-XX	XX =
	2	2214792	STICKER, YELLOW	RCR(2)-XX	1	14499-XX	XX =
	2	2214794	STICKER, WHITE	RCL(1)-XX	1	14499-XX	XX =
	2	2214791	STICKER, BLACK	RCL(2)-XX	1	14499-XX	XX =
	2	FAB0224	1/4-20 HEX SCREW x 1 1/2" LONG	RCL(3)-XX	1	14499-XX	XX =
D	20	FA06237	DOUBLE JIFFY CLIP (NOT SHOWN)	BMC-XX	1	14499-XX	XX =
				BMC(1)-XX	1	14499-XX	XX =
E	20	FA05768	JIFFY CLIP (NOT SHOWN)	BMC(2)-XX	1	14499-XX	XX =
				BMC(3)-XX	1	14499-XX	XX =
F	40	FA30406	1/4-20 BTD SCREW x 3/8" LONG (NOT SHOWN)	BMCL(1)-XX	1	14499-XX	XX =
				BMCL(2)-XX	1	14499-XX	XX =
				BMCL(3)-XX	1	14499-XX	XX =
				BCL(1)-XX	1	14499-XX	XX =
				BCL(2)-XX	1	14499-XX	XX =
				BCL(3)-XX	1	14499-XX	XX =
				BDR-XX	1	14499-XX	XX =
				DRR(1)-XX	1	14499-XX	XX =
				DRR(2)-XX	1	14499-XX	XX =

NOTE: WHEN SHIPPING BULK HOSE AND FITTINGS, SEND THE FOLLOWING QUANTITY OF ITEMS: HOSE, PART #H014500, 190' FITTINGS, PART #FF14502, 64 PIECES

HOW TO MEASURE HOSE LENGTHS:



IMPORTANT: LEAVE ROOM FOR PRESS AND CLAMP MOVEMENT!

DI-6X6S-2DL

REV. & FITTING DATE BY PFA-ACC P/N	REV. 6-15-09	PFA, INC. 1818 WILSON BUNSEN DRIVE, GERRYTOWN, VA 53022 262-250-4410, 262-250-4409 (fax), pfa-inc.com
	SCALE N.T.S.	INSTALLATION KIT
	SHEET 1 of 1	DRAWING NUMBER DI-6X6S-2DL