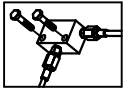
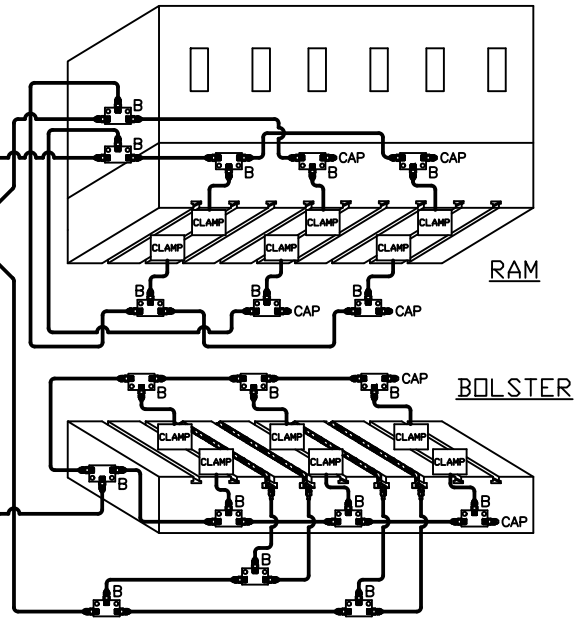
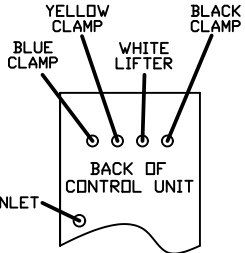


MOUNTING EXAMPLE



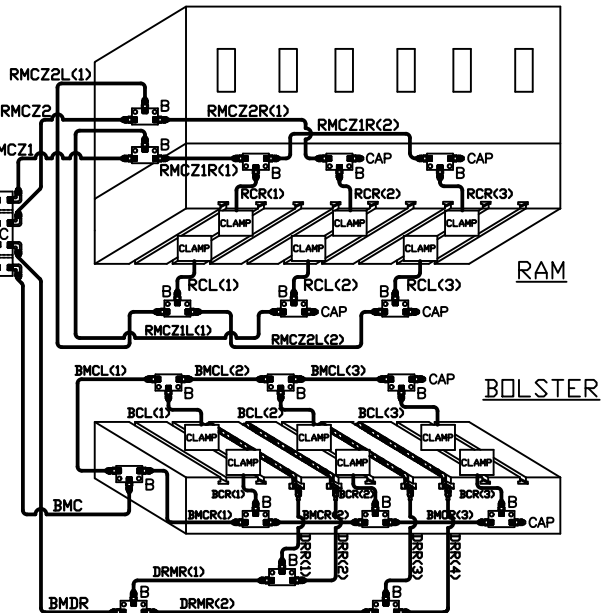
TO CONTROLLER BLUE CLAMP (ZONE 1)
 TO CONTROLLER YELLOW CLAMP (ZONE 2)
 TO CONTROLLER WHITE LIFTER (ZONE 3)
 TO CONTROLLER BLACK CLAMP (ZONE 4)



RAM MAIN CLAMP (RMC)

TO CONTROLLER BLUE CLAMP (ZONE 1)
 TO CONTROLLER YELLOW CLAMP (ZONE 2)
 TO CONTROLLER WHITE LIFTER (ZONE 3)
 TO CONTROLLER BLACK CLAMP (ZONE 4)

BOLSTER MAIN CLAMP (BMC)

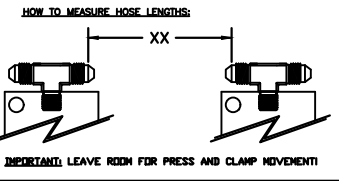


DI-6X6S-4DL INSTALLATION KIT

ILLUSTRATION	QTY	PFA-ACC P/N	DESCRIPTION
B	18	HC14648	MANFOLD, FULL ASSY
	BOM (EACH)		
	1	HB10050 FF00519 FF01835	MANFOLD CONNECTOR, STRAIGHT CAP, 37° FLARE
C	2	FA80200	1/4"-20 HEX SCREW x 1 1/4" LONG
	1	HC10050	MANFOLD, FULL ASSY
	BOM (EACH)		
	1	HB10050 FF00523 FF00070 FF01835	MANFOLD CONNECTOR, ELBOW 90° CONNECTOR, ELBOW, 45° CAP, 37° FLARE
	2	2214783	STICKER, BLUE
	2	2214782	STICKER, YELLOW
	2	2214784	STICKER, WHITE
	2	2214791	STICKER, BLACK
	2	FA80224	1/4"-20 HEX SCREW x 1 1/2" LONG
	D	20	FA8237
E	22	FA05768	JIFFY CLIP (NOT SHOWN)
F	38	FA30406	1/4"-20 BHD SCREW x 3/8" LONG (NOT SHOWN)

ILLUSTRATION	QTY	PFA-ACC P/N	DESCRIPTION
	1	14489-XX	NOTE: HOSE AND LOOSE FITTINGS SHIPPED IN BULK. HOSE ASSEMBLY/FABRICATION BY CUSTOMER AT THEIR FACILITY. XX = LENGTH IN INCHES
	1	14489-XX	
	1	14489-XX	
	1	14489-XX	
	1	14489-XX	
	1	14489-XX	
	1	14489-XX	
	1	14489-XX	
	1	14489-XX	
	1	14489-XX	
	1	14489-XX	
	1	14489-XX	
	1	14489-XX	
	1	14489-XX	
	1	14489-XX	
	1	14489-XX	
	1	14489-XX	
	1	14489-XX	
	1	14489-XX	
	1	14489-XX	

NOTE: WHEN SHIPPING BULK HOSE AND FITTINGS, SEND THE FOLLOWING QUANTITY OF ITEMS:
 HOSE, PART #HO14500, 220'
 FITTINGS, PART #FF14502, 72 PIECES



DI-6X6S-4DL

REV. A DATE: 6-15-99 PFA-ACC P/N: DI-6X6S-4DL	HEN 6-15-99	PFA, INC. NEW 10828 BLANDER DRIVE, GERMANTOWN, VA 22062 866-250-4400, 546-250-4409 (fax), pfa-inc.com
	SCALE N.T.S.	INSTALLATION KIT
	SHEET 1 of 1	DRAWING NUMBER DI-6X6S-4DL