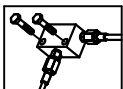
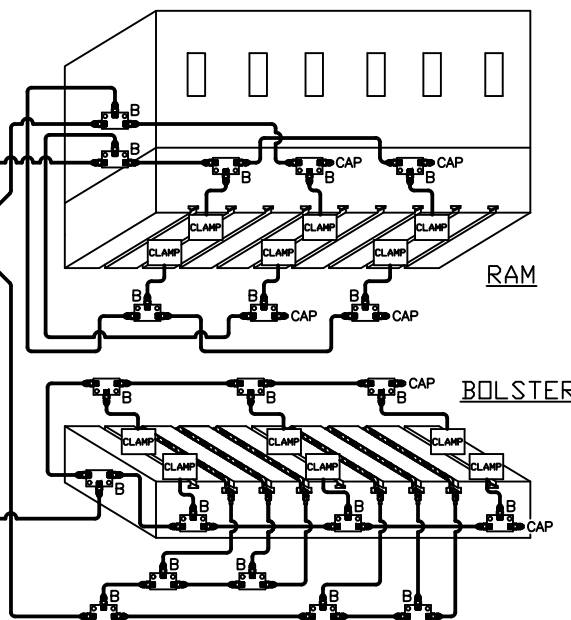
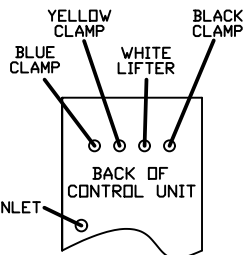


MOUNTING EXAMPLE



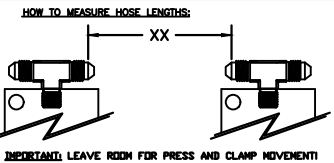
TO CONTROLLER BLUE CLAMP (ZONE 1)  
 TO CONTROLLER YELLOW CLAMP (ZONE 2)  
 TO CONTROLLER WHITE LIFTER (ZONE 3)  
 TO CONTROLLER BLACK CLAMP (ZONE 4)



DI-6X6S-6DL INSTALLATION KIT

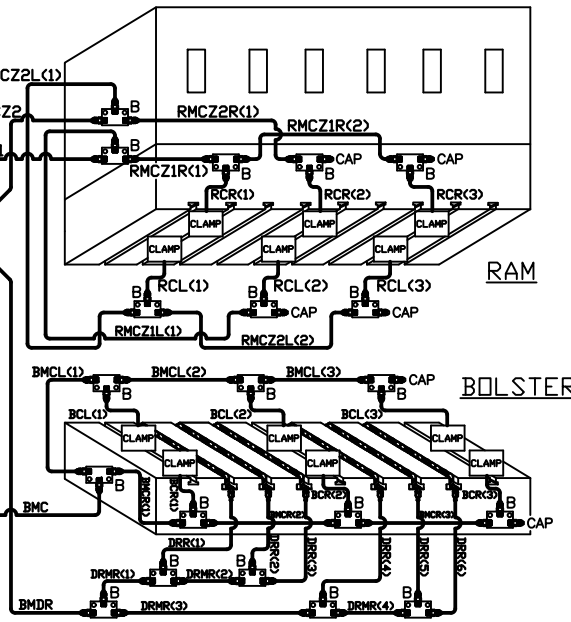
ILLUSTRATION	QTY	PFA-ACC P/N	DESCRIPTION	ILLUSTRATION	QTY	PFA-ACC P/N	DESCRIPTION	
B	20	HC14649	MANFOLD, FULL ASSY		1	14469-XX	NOTE: HOSE AND LOOSE FITTINGS SHIPPED IN BULK. HOSE ASSEMBLY/FABRICATION BY CUSTOMER AT THEIR FACILITY. XX = LENGTH IN INCHES	
	BOM (EACH)							
	1	HB10680 FF00018 FF01835	MANFOLD CONNECTOR, STRAIGHT CAP, 37° FLARE					
C	1	HC10050	MANFOLD, FULL ASSY	RMCZ1-XX	1	14469-XX	XX =	
	BOM (EACH)			RMCZ2-XX	1	14469-XX	XX =	
	1	HB10020 FF00083 FF00570 FF01835	MANFOLD CONNECTOR, ELBOW 90° CONNECTION, ELBOW, 45° CAP, 37° FLARE	RMCZ1R(1)-XX	1	14469-XX	XX =	
D	20	FA08237	DOUBLE JIFFY CLIP (NOT SHOWN)	RMCZ1R(2)-XX	1	14469-XX	XX =	
	E	26	FA05768	JIFFY CLIP (NOT SHOWN)	RMCZ1L(1)-XX	1	14469-XX	XX =
		F	46	FA30406	1/4"-20 BTHD SCREW x 3/8" LONG (NOT SHOWN)	RMCZ2R(1)-XX	1	14469-XX
					RMCZ2L(1)-XX	1	14469-XX	XX =
				RMCZ2L(2)-XX	1	14469-XX	XX =	
				RCR(1)-XX	1	14469-XX	XX =	
				RRCR(2)-XX	1	14469-XX	XX =	
				RRCR(3)-XX	1	14469-XX	XX =	
				RCL(1)-XX	1	14469-XX	XX =	
				RCL(2)-XX	1	14469-XX	XX =	
				RCL(3)-XX	1	14469-XX	XX =	
				BMC-XX	1	14469-XX	XX =	
				BMCR(1)-XX	1	14469-XX	XX =	
				BMCR(2)-XX	1	14469-XX	XX =	
				BMCR(3)-XX	1	14469-XX	XX =	
				BMCL(1)-XX	1	14469-XX	XX =	
				BMCL(2)-XX	1	14469-XX	XX =	
				BMCL(3)-XX	1	14469-XX	XX =	
				BCR(1)-XX	1	14469-XX	XX =	
				BCR(2)-XX	1	14469-XX	XX =	
				BCR(3)-XX	1	14469-XX	XX =	
				BCL(1)-XX	1	14469-XX	XX =	
				BCL(2)-XX	1	14469-XX	XX =	
				BCL(3)-XX	1	14469-XX	XX =	
				BMDR-XX	1	14469-XX	XX =	
				DRMR(1)-XX	1	14469-XX	XX =	
				DRMR(2)-XX	1	14469-XX	XX =	
				DRMR(3)-XX	1	14469-XX	XX =	
				DRMR(4)-XX	1	14469-XX	XX =	
				DRR(1)-XX	1	14469-XX	XX =	
				DRR(2)-XX	1	14469-XX	XX =	
				DRR(3)-XX	1	14469-XX	XX =	
				DRR(4)-XX	1	14469-XX	XX =	
				DRR(5)-XX	1	14469-XX	XX =	
				DRR(6)-XX	1	14469-XX	XX =	

NOTE: WHEN SHIPPING BULK HOSE AND FITTINGS, SEND THE FOLLOWING QUANTITY OF ITEMS:  
 HOSE, PART #H014800, 250 FEET  
 FITTINGS, PART #FF14502, 50 PIECES



RAM MAIN CLAMP (RMC)

TO CONTROLLER BLUE CLAMP (ZONE 1)  
 TO CONTROLLER YELLOW CLAMP (ZONE 2)  
 TO CONTROLLER WHITE LIFTER (ZONE 3)  
 TO CONTROLLER BLACK CLAMP (ZONE 4)



BOLSTER MAIN CLAMP (BMC)

DI-6X6S-6DL

HEN 7-25-16		PFA, INC. 1618 WHEEL BLANDER DRIVE, GERMANTOWN, VA 22062 866-250-4430, 546-250-4409 (fax), pfa-inc.com	
SCALE	N.T.S.	INSTALLATION KIT	
SHEET	1 of 1	DRAWING NUMBER	DI-6X6S-6DL