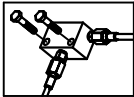
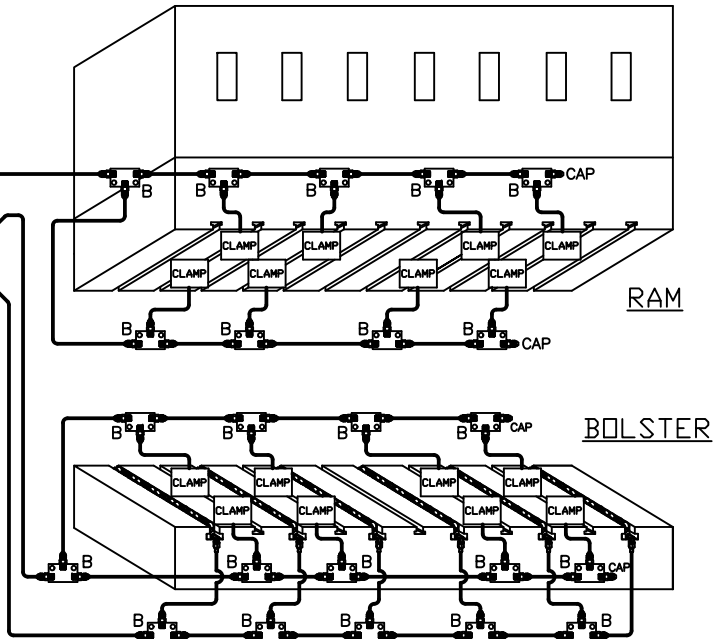
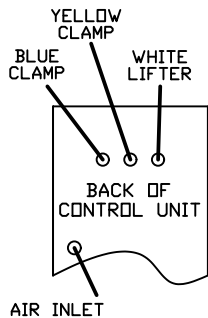


MOUNTING EXAMPLE



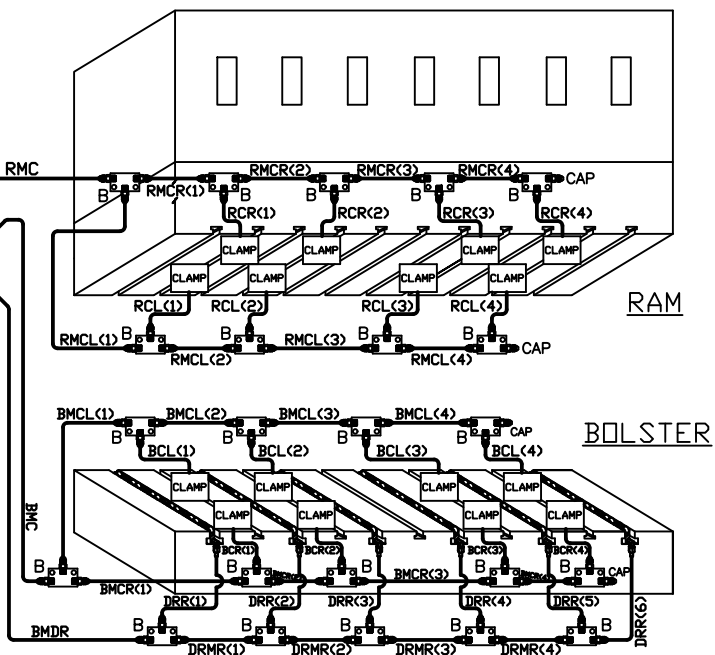
TO CONTROLLER BLUE CLAMP (ZONE 1)
 TO CONTROLLER YELLOW CLAMP (ZONE 2)
 TO CONTROLLER WHITE LIFTER (ZONE 3)
 NOT USED



RAM MAIN CLAMP (RMC)

TO CONTROLLER BLUE CLAMP (ZONE 1)
 TO CONTROLLER YELLOW CLAMP (ZONE 2)
 TO CONTROLLER WHITE LIFTER (ZONE 3)
 NOT USED

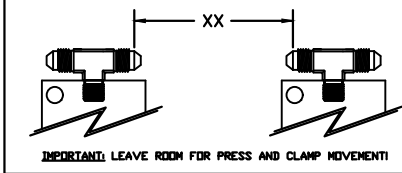
BOLSTER MAIN CLAMP (BMC)



DI-8L8L-6DL INSTALLATION KIT

ILLUSTRATION	QTY	PFA-ACC P/N	DESCRIPTION	ILLUSTRATION	QTY	PFA-ACC P/N	DESCRIPTION	
B	23	HC14849	MANIFOLD, FULL ASSY		1	14499-JX	NOTE: HOSE AND LOOSE FITTINGS SHIPPED IN BULK. HOSE ASSEMBLY/FABRICATION BY CUSTOMER AT THEIR FACILITY XX = LENGTH IN INCHES	
	BOM (EACH)							
C	1	HC10050	MANIFOLD, FULL ASSY	RMC-JX	1	14499-JX	XX =	
	BOM (EACH)			RMCR(1)-JX	1	14499-JX	XX =	
	1	HB10050	MANIFOLD CONNECTOR, STRAIGHT CAP, 37° FLARE	RMCR(2)-JX	1	14499-JX	XX =	
	4	FF00083	MANIFOLD CONNECTOR, ELBOW 90°	RMCR(3)-JX	1	14499-JX	XX =	
	4	FF00070	MANIFOLD CONNECTOR, ELBOW, 45°	RMCR(4)-JX	1	14499-JX	XX =	
	1	FF01835	MANIFOLD CONNECTOR, STRAIGHT CAP, 37° FLARE	RCR(1)-JX	1	14499-JX	XX =	
	2	2214783	STICKER, BLUE	RCR(2)-JX	1	14499-JX	XX =	
	2	2214782	STICKER, YELLOW	RCR(3)-JX	1	14499-JX	XX =	
	2	2214784	STICKER, WHITE	RCR(4)-JX	1	14499-JX	XX =	
	2	2214781	STICKER, BLACK	RCR(1)-JX	1	14499-JX	XX =	
2	FA02224	1/4"-20 HEX SCREW x 1 1/2" LONG	RMCL(1)-JX	1	14499-JX	XX =		
D	12	FA02237	DOUBLE JIFFY CLIP (NOT SHOWN)	RMCL(2)-JX	1	14499-JX	XX =	
	E	42	FA05768	JIFFY CLIP (NOT SHOWN)	RMCL(3)-JX	1	14499-JX	XX =
					RMCL(4)-JX	1	14499-JX	XX =
					BCL(1)-JX	1	14499-JX	XX =
					BCL(2)-JX	1	14499-JX	XX =
					BCL(3)-JX	1	14499-JX	XX =
					BCL(4)-JX	1	14499-JX	XX =
					BMDR-JX	1	14499-JX	XX =
					DRMR(1)	1	14499-JX	XX =
					DRMR(2)	1	14499-JX	XX =
					DRMR(3)	1	14499-JX	XX =
					DRMR(4)	1	14499-JX	XX =
F					54	FA30406	1/4"-20 BTHD SCREW x 3/8" LONG (NOT SHOWN)	DRR(1)-JX
	DRR(2)-JX	1	14499-JX	XX =				
	DRR(3)-JX	1	14499-JX	XX =				
	DRR(4)-JX	1	14499-JX	XX =				
	DRR(5)-JX	1	14499-JX	XX =				
	DRR(6)-JX	1	14499-JX	XX =				

HOW TO MEASURE HOSE LENGTHS:



NOTE: WHEN SHIPPING BULK HOSE AND FITTINGS, SEND THE FOLLOWING QUANTITY OF ITEMS:
 HOSE, PART #HO14500, 225 FEET
 FITTINGS, PART #FF14502, 94 PIECES

DI-8L8L-6DL

		PFA, INC.	
HEN 9-7-18		N18 VIBREI BUNSEN DRIVE, GERMANTOWN, VI. 53022	
SCALE N.T.S.		262-250-4410, 262-250-4409 (fax), www.pfa-inc.com	
SHEET 1 of 1		DRAWING NUMBER DI-8L8L-6DL	