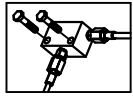
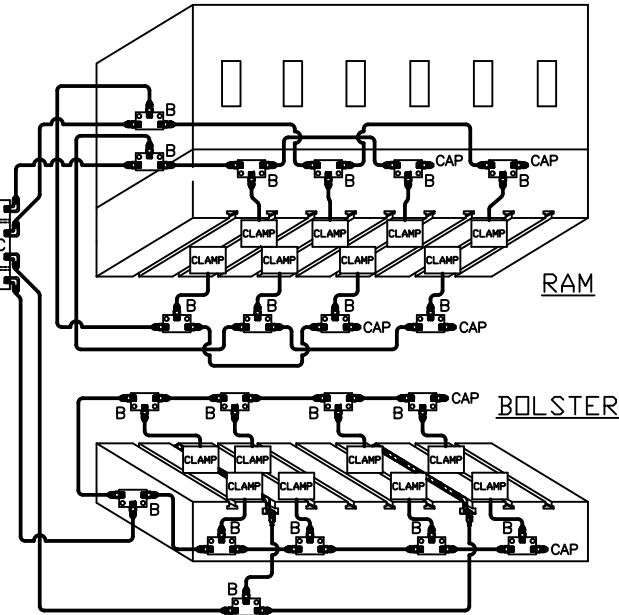
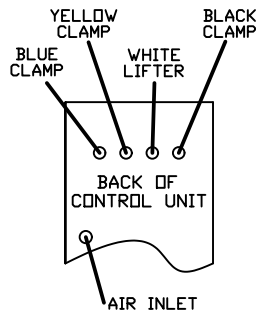


MOUNTING EXAMPLE



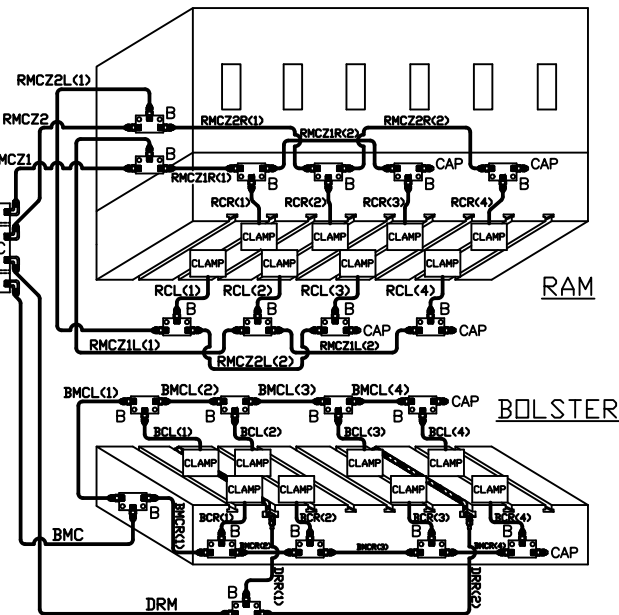
TO CONTROLLER BLUE CLAMP (ZONE 1)
 TO CONTROLLER YELLOW CLAMP (ZONE 2)
 TO CONTROLLER WHITE LIFTER (ZONE 3)
 TO CONTROLLER BLACK CLAMP (ZONE 4)



RAM MAIN CLAMP (RMC)

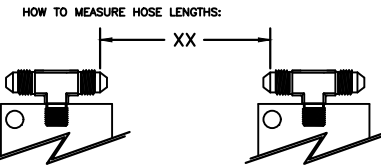
TO CONTROLLER BLUE CLAMP (ZONE 1)
 TO CONTROLLER YELLOW CLAMP (ZONE 2)
 TO CONTROLLER WHITE LIFTER (ZONE 3)
 TO CONTROLLER BLACK CLAMP (ZONE 4)

BOLSTER MAIN CLAMP (BMC)



DI-8X8S-2DL INSTALLATION KIT

ILLUSTRATION	QTY	PFA-ACC P/N	DESCRIPTION	ILLUSTRATION	QTY	PFA-ACC P/N	DESCRIPTION			
B	20	HC1469	MANIFOLD, FULL ASS'Y				NOTE: HOSE AND LOOSE FITTINGS SHIPPED IN BULK, HOSE ASSEMBLY/FABRICATION BY CUSTOMER AT THEIR FACILITY XX = LENGTH IN INCHES			
	BOM (EACH)									
	1	HB10680 FF00019 FF01835	MANIFOLD CONNECTOR, STRAIGHT CAP, 37 FLARE							
C	2	FAB0200	1/4-20 HEX SCREW x 1 1/4" LONG				RMCZ1-XX	1	14499-XX	XX =
							RMCZ2-XX	1	14499-XX	XX =
							RMCZ1R(1)-XX	1	14499-XX	XX =
							RMCZ1R(2)-XX	1	14499-XX	XX =
							RMCZ1L(1)-XX	1	14499-XX	XX =
							RMCZ1L(2)-XX	1	14499-XX	XX =
							RMCZ2R(1)-XX	1	14499-XX	XX =
							RMCZ2R(2)-XX	1	14499-XX	XX =
							RCR(1)-XX	1	14499-XX	XX =
							RCR(2)-XX	1	14499-XX	XX =
			RCR(3)-XX	1	14499-XX	XX =				
			RCR(4)-XX	1	14499-XX	XX =				
			RCL(1)-XX	1	14499-XX	XX =				
			RCL(2)-XX	1	14499-XX	XX =				
			RCL(3)-XX	1	14499-XX	XX =				
			RCL(4)-XX	1	14499-XX	XX =				
			BMC-XX	1	14499-XX	XX =				
			BMCL(1)-XX	1	14499-XX	XX =				
			BMCL(2)-XX	1	14499-XX	XX =				
			BMCL(3)-XX	1	14499-XX	XX =				
			BMCL(4)-XX	1	14499-XX	XX =				
			BMC(1)-XX	1	14499-XX	XX =				
			BMC(2)-XX	1	14499-XX	XX =				
			BMC(3)-XX	1	14499-XX	XX =				
			BMC(4)-XX	1	14499-XX	XX =				
			BMCL(1)-XX	1	14499-XX	XX =				
			BMCL(2)-XX	1	14499-XX	XX =				
			BMCL(3)-XX	1	14499-XX	XX =				
			BMCL(4)-XX	1	14499-XX	XX =				
			BCR(1)-XX	1	14499-XX	XX =				
			BCR(2)-XX	1	14499-XX	XX =				
			BCR(3)-XX	1	14499-XX	XX =				
			BCR(4)-XX	1	14499-XX	XX =				
			BCL(1)-XX	1	14499-XX	XX =				
			BCL(2)-XX	1	14499-XX	XX =				
			BCL(3)-XX	1	14499-XX	XX =				
			BCL(4)-XX	1	14499-XX	XX =				
			DRM-XX	1	14499-XX	XX =				
			DRR(1)-XX	1	14499-XX	XX =				
			DRR(2)-XX	1	14499-XX	XX =				
D	24	FA08237	DOUBLE JIFFY CLIP (NOT SHOWN)							
E	26	FA05768	JIFFY CLIP (NOT SHOWN)							
F	50	FA30406	1/4-20 8THD SCREW x 3/8" LONG (NOT SHOWN)							
NOTE: WHEN SHIPPING BULK HOSE AND FITTINGS, SEND THE FOLLOWING QUANTITY OF ITEMS: HOSE, PART #H014500, 210' FITTINGS, PART #FF14502, 80 PIECES										



IMPORTANT: LEAVE ROOM FOR PRESS AND CLAMP MOVEMENT!

DI-8X8S-2DL

PFA-ACC PART #FF14502 HOSE, PER FOOT (80-250)	MEN 6-15-09	PFA, INC. 1610 WILSON BUNSEN DRIVE, GERMANTOWN, VI. 23062 262-250-4410, 262-250-4409 (fax), pfa-inc.com
	SCALE N.T.S.	INSTALLATION KIT
	SHEET 1 of 1	DRAWING NUMBER DI-8X8S-2DL