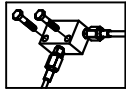
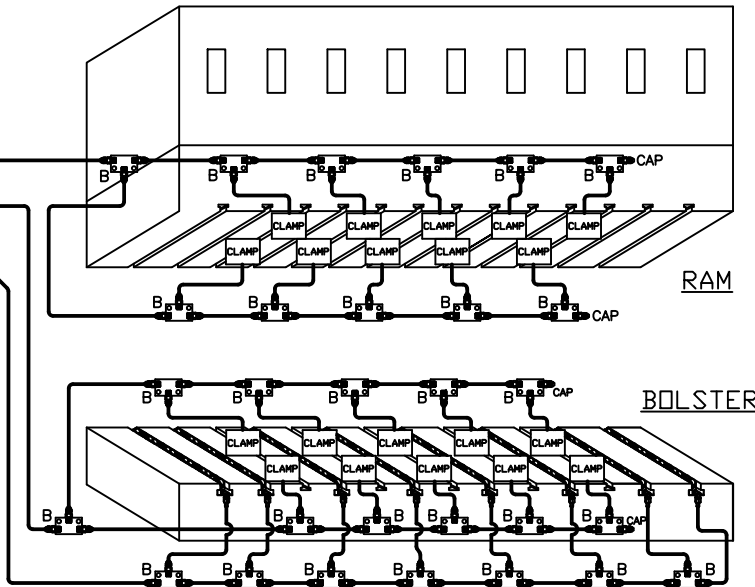
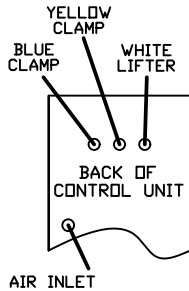


Mounting Example

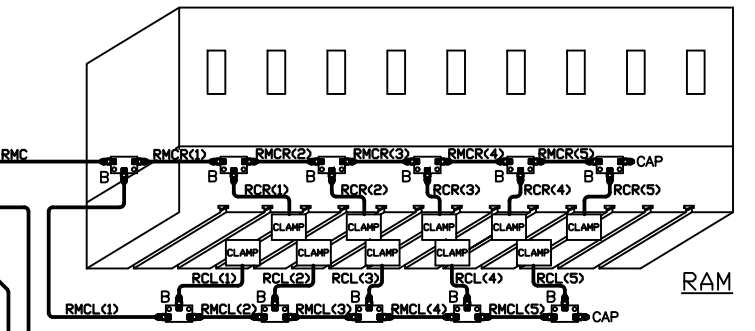


TO CONTROLLER BLUE CLAMP (ZONE 1)
 TO CONTROLLER YELLOW CLAMP (ZONE 2)
 TO CONTROLLER WHITE LIFTER (ZONE 3)
 NOT USED

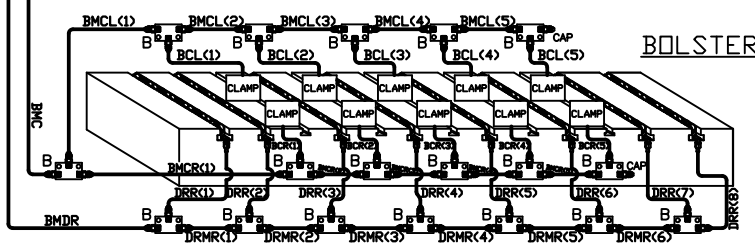


RAM MAIN CLAMP (RMC)

TO CONTROLLER BLUE CLAMP (ZONE 1)
 TO CONTROLLER YELLOW CLAMP (ZONE 2)
 TO CONTROLLER WHITE LIFTER (ZONE 3)
 NOT USED



BOLSTER MAIN CLAMP (BMC)



DI-10L10L-8DL INSTALLATION KIT

ILLUSTRATION	QTY	PFA-ACC P/N	DESCRIPTION	ILLUSTRATION	QTY	PFA-ACC P/N	DESCRIPTION
B	29	HC14649	MANIFOLD, FULL ASSY		1	14499-XX	XX =
	BOM (EACH)					14499-XX	XX =
C	1	HC10050	MANIFOLD, FULL ASSY		1	14499-XX	XX =
	BOM (EACH)					14499-XX	XX =
D	12	FA0237	DOUBLE JIFFY CLIP (NOT SHOWN)		1	14499-XX	XX =
	BOM (EACH)					14499-XX	XX =
E	54	FA05768	JIFFY CLIP (NOT SHOWN)		1	14499-XX	XX =
	BOM (EACH)					14499-XX	XX =
F	86	FA30408	1/4-20 BRD SCREW (NOT SHOWN)		1	14499-XX	XX =
	BOM (EACH)					14499-XX	XX =
HOW TO MEASURE HOSE LENGTHS:							
IMPORTANT! LEAVE ROOM FOR PRESS AND CLAMP MOVEMENT!							
NOTE: WHEN SHIPPING BULK HOSE AND FITTINGS, SEND THE FOLLOWING QUANTITY OF ITEMS: HOSE, PART #H014500, 250 FEET FITTINGS, PART #FF14502, 120 PIECES							

DI-10L10L-8DL

PFA, INC. 1118 1/2 ST. BRIDGE BLVD., GEORGETOWN, VA 23062 252-250-4418, 252-250-4459 (Fax), www.pfa-inc.com	
REV 5-3-19	INSTALLATION KIT
SCALE N.T.S.	DRAWING NUMBER DI-10L10L-8DL
SHEET 1 of 1	