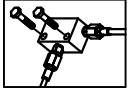
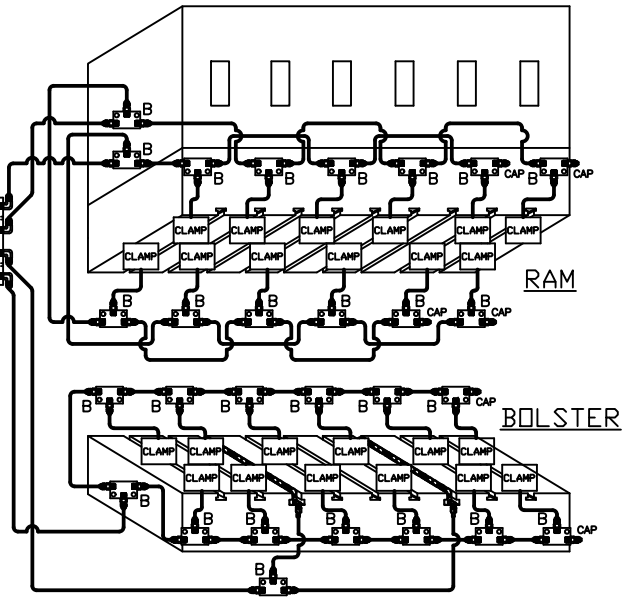
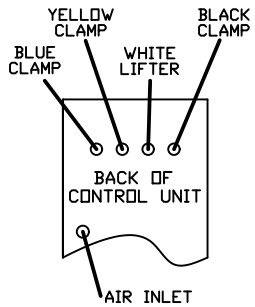


MOUNTING EXAMPLE



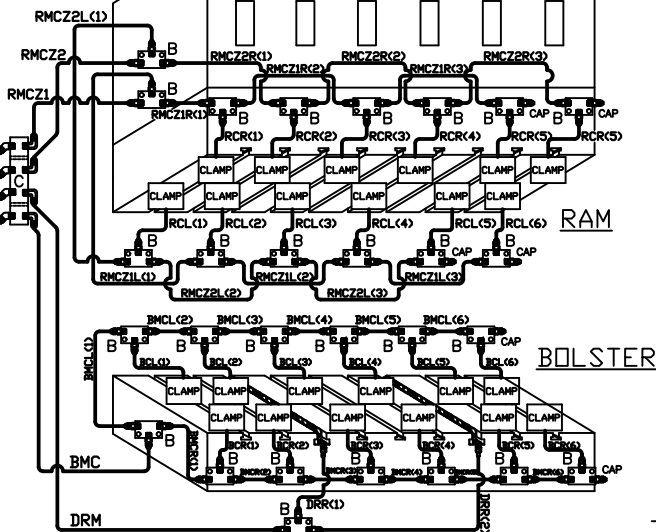
TO CONTROLLER BLUE CLAMP (ZONE 1)
 TO CONTROLLER YELLOW CLAMP (ZONE 2)
 TO CONTROLLER WHITE LIFTER (ZONE 3)
 TO CONTROLLER BLACK CLAMP (ZONE 4)



RAM MAIN CLAMP (RMC)

TO CONTROLLER BLUE CLAMP (ZONE 1)
 TO CONTROLLER YELLOW CLAMP (ZONE 2)
 TO CONTROLLER WHITE LIFTER (ZONE 3)
 TO CONTROLLER BLACK CLAMP (ZONE 4)

BOLSTER MAIN CLAMP (BMC)

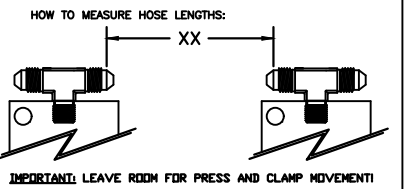


DI-12X12S-2DL INSTALLATION KIT

ILLUSTRATION	QTY	PFA-ACC P/N	DESCRIPTION			
B	28	HC14649	MANIFOLD, FULL ASSY			
	BOM (EACH)					
	1	HB10680	MANIFOLD CONNECTOR, STRAIGHT			
	3	FF00019	CAP, 37° FLARE			
	4	FF01835				
	2	FAB0200	1/4-20 HEX SCREW x 1 1/4" LONG			
	C	1	HC10050	MANIFOLD, FULL ASSY		
		BOM (EACH)				
		1	HB10050	MANIFOLD CONNECTOR, ELBOW 90°		
		4	FF00083	CONNECTOR, ELBOW, 45°		
4		FF01070	CAP, 37° FLARE			
4		FF01835				
2		2214793	STICKER, BLUE			
2		2214792	STICKER, YELLOW			
2		2214794	STICKER, WHITE			
2		2214791	STICKER, BLACK			
2	FAB0224	1/4-20 HEX SCREW x 1 1/2" LONG				
D	34	FA06237	DOUBLE JIFFY CLIP (NOT SHOWN)			
	E	36	FA05768	JIFFY CLIP (NOT SHOWN)		
		F	70	FA30406	1/4-20 BTHD SCREW x 3/8" LONG (NOT SHOWN)	
			NOTE: HOSE AND LOOSE FITTINGS SHIPPED IN BULK, HOSE ASSEMBLY/FABRICATION BY CUSTOMER AT THEIR FACILITY XX = LENGTH IN INCHES			
			RMCZ1-XX	1	14499-XX	XX =
			RMCZ2-XX	1	14499-XX	XX =
RMCZ1R(1)-XX			1	14499-XX	XX =	
RMCZ1R(2)-XX	1		14499-XX	XX =		
RMCZ1R(3)-XX	1	14499-XX	XX =			
RMCZ1L(1)-XX	1	14499-XX	XX =			
RMCZ1L(2)-XX	1	14499-XX	XX =			
RMCZ1L(3)-XX	1	14499-XX	XX =			

ILLUSTRATION	QTY	PFA-ACC P/N	DESCRIPTION
ROR(1)-XX	1	14499-XX	XX =
ROR(2)-XX	1	14499-XX	XX =
ROR(3)-XX	1	14499-XX	XX =
ROR(4)-XX	1	14499-XX	XX =
ROR(5)-XX	1	14499-XX	XX =
ROR(6)-XX	1	14499-XX	XX =
RCL(1)-XX	1	14499-XX	XX =
RCL(2)-XX	1	14499-XX	XX =
RCL(3)-XX	1	14499-XX	XX =
RCL(4)-XX	1	14499-XX	XX =
RCL(5)-XX	1	14499-XX	XX =
RCL(6)-XX	1	14499-XX	XX =
RMCZ2R(1)-XX	1	14499-XX	XX =
RMCZ2R(2)-XX	1	14499-XX	XX =
RMCZ2R(3)-XX	1	14499-XX	XX =
RMCZ2L(1)-XX	1	14499-XX	XX =
RMCZ2L(2)-XX	1	14499-XX	XX =
RMCZ2L(3)-XX	1	14499-XX	XX =
BMC-XX	1	14499-XX	XX =
BMC(1)-XX	1	14499-XX	XX =
BMC(2)-XX	1	14499-XX	XX =
BMC(3)-XX	1	14499-XX	XX =
BMC(4)-XX	1	14499-XX	XX =
BMC(5)-XX	1	14499-XX	XX =
BMC(6)-XX	1	14499-XX	XX =
BMCL(1)-XX	1	14499-XX	XX =
BMCL(2)-XX	1	14499-XX	XX =
BMCL(3)-XX	1	14499-XX	XX =
BMCL(4)-XX	1	14499-XX	XX =
BMCL(5)-XX	1	14499-XX	XX =
BMCL(6)-XX	1	14499-XX	XX =
BCR(1)-XX	1	14499-XX	XX =
BCR(2)-XX	1	14499-XX	XX =
BCR(3)-XX	1	14499-XX	XX =
BCR(4)-XX	1	14499-XX	XX =
BCR(5)-XX	1	14499-XX	XX =
BCR(6)-XX	1	14499-XX	XX =
BCL(1)-XX	1	14499-XX	XX =
BCL(2)-XX	1	14499-XX	XX =
BCL(3)-XX	1	14499-XX	XX =
BCL(4)-XX	1	14499-XX	XX =
BCL(5)-XX	1	14499-XX	XX =
BCL(6)-XX	1	14499-XX	XX =
DRM-XX	1	14499-XX	XX =
DRR(1)-XX	1	14499-XX	XX =
DRR(2)-XX	1	14499-XX	XX =

NOTE: WHEN SHIPPING BULK HOSE AND FITTINGS, SEND THE FOLLOWING QUANTITY OF ITEMS; HOSE, PART #H014500, 230 FEET FITTINGS, PART #FF14502, 112 PIECES



DI-12X12S-2DL

PFA, INC.	
N10 V18251 BLUNSEN DRIVE, GERMANTOWN, VI 23062	
248-250-4418, 248-250-4489 (fax), pfa-inc.com	
HEX 5-18-15	INSTALLATION KIT
SCALE N.T.S.	DRAWING NUMBER
SHEET 1 of 1	DI-12X12S-2DL