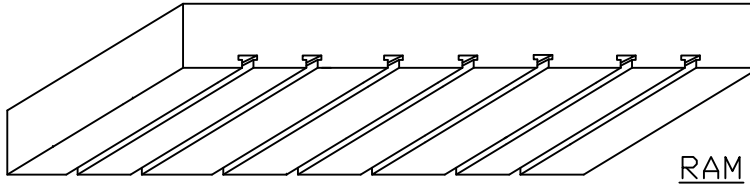
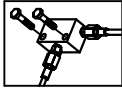
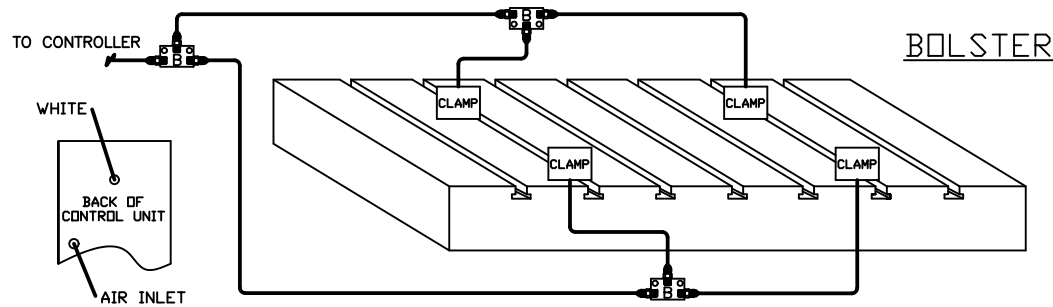


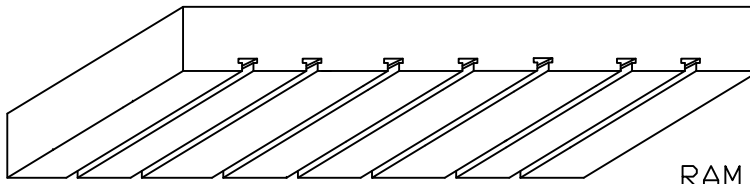
Mounting Example



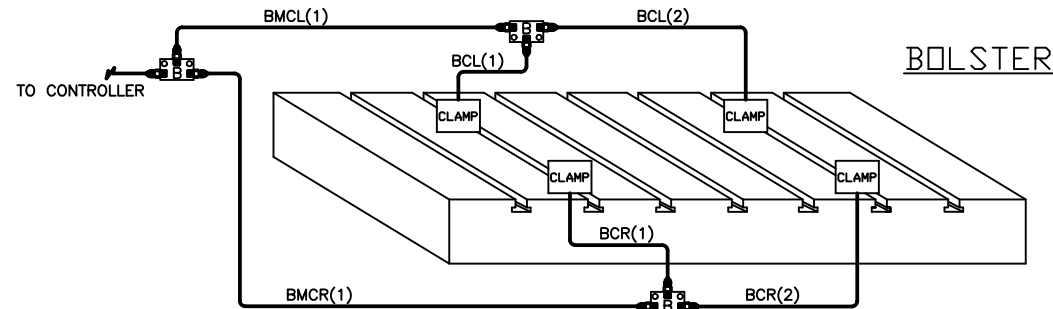
RAM



BOLSTER



RAM



BOLSTER

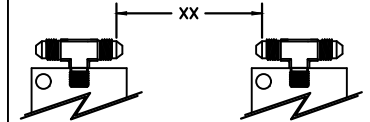
DI-004S INSTALLATION KIT

ILLUSTRATION	QTY	PFA-ACC P/N	DESCRIPTION
B	3	HC14849	MANIFOLD, FULL ASS'Y
	BOM (EACH)		
	1	HB10880 FF02019 FF01835	MANIFOLD CONNECTOR, STRAIGHT CAP, 3" FLARE
	2	FA80200	1/4"-20 HEX SCREW x 1 1/4" LONG
E	12	FA05788	JEFFY CLIP (NOT SHOWN)
F	12	FA30408	1/4"-20 BTHD SCREW x 3/8" LONG (NOT SHOWN)

ILLUSTRATION	QTY	PFA-ACC P/N	DESCRIPTION
			NOTE: HOSE AND LOOSE FITTINGS SHIPPED IN BULK. HOSE ASSEMBLY/FABRICATION BY CUSTOMER AT THEIR FACILITY. XX = LENGTH IN INCHES.
BMCL(1)-XX	1	14499-XX	XX =
BMCR(1)-XX	1	14499-XX	XX =
BCL(1)-XX	1	14499-XX	XX =
BCL(2)-XX	1	14499-XX	XX =
BCR(1)-XX	1	14499-XX	XX =
BCR(2)-XX	1	14499-XX	XX =

NOTE: WHEN SHIPPING BULK HOSE AND FITTINGS, SEND THE FOLLOWING QUANTITY OF ITEMS:  
HOSE, PART #HO14500, 40 FEET  
FITTINGS, PART #FF14502, 14 PIECES

HOW TO MEASURE HOSE LENGTHS:



IMPORTANT! LEAVE ROOM FOR PRESS AND CLAMP MOVEMENT!

DI-004S

NEW P-20-14, REV. A, AND BULK HOSE, ESN #14-50		PFA, INC. N18 W18251 BUNSEN DRIVE, GERMANTOWN, WI 53022 262-250-4410, 262-250-4409 (fax), pfa-inc.com
	HEM 10-27-09	
	SCALE N.T.S.	INSTALLATION KIT
	SHEET 1 of 1	DRAWING NUMBER DI-004S