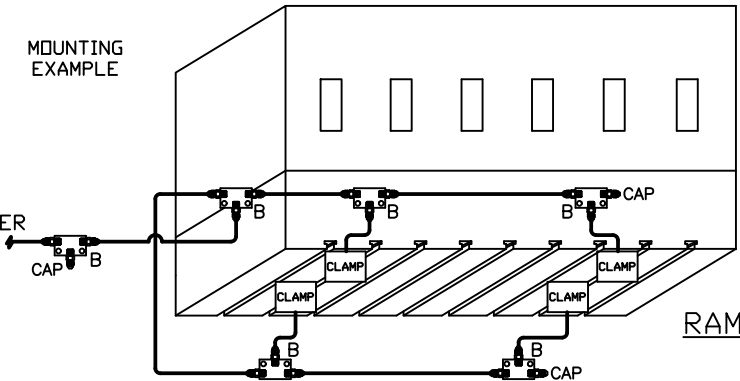
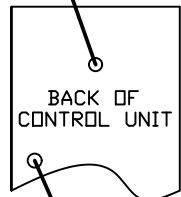


MOUNTING EXAMPLE

TO CONTROLLER



WHITE

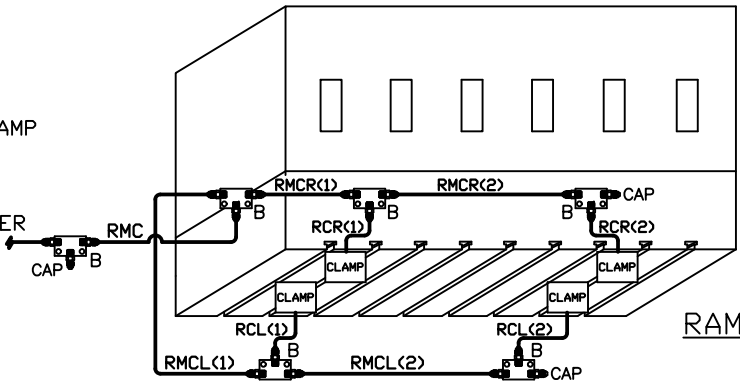


BACK OF CONTROL UNIT

AIR INLET

RAM MAIN CLAMP (RMC)

TO CONTROLLER



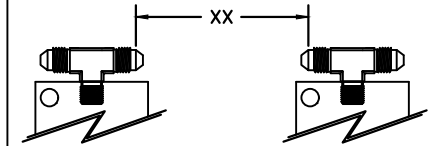
### DI-4L00 INSTALLATION KIT

ILLUSTRATION	QTY	PFA-ACC P/N	DESCRIPTION
	5	HC14849	MANIFOLD, FULL ASSY
	BOM (EACH)		
	1	HB10680	MANIFOLD CONNECTOR, STRAIGHT CAP, 37° FLARE
	3	FF00019	
1	FF01835		
	2	FAB0200	1/4-20 HEX SCREW x 1 1/4" LONG
	12	FA05768	JIFFY CLIP (NOT SHOWN)
	12	FA30406	1/4-20 BTHD SCREW x 3/8" LONG (NOT SHOWN)

ILLUSTRATION	QTY	PFA-ACC P/N	DESCRIPTION
			NOTE: HOSE AND LOOSE FITTINGS SHIPPED IN BULK, HOSE ASSEMBLY/FABRICATION BY CUSTOMER AT THEIR FACILITY XX = LENGTH IN INCHES
RMC-XX	1	14499-XX	XX =
RMCR(1)-XX	1	14499-XX	XX =
RMCR(2)-XX	1	14499-XX	XX =
RMCL(1)-XX	1	14499-XX	XX =
RMCL(2)-XX	1	14499-XX	XX =
RCR(1)-XX	1	14499-XX	XX =
RCR(2)-XX	1	14499-XX	XX =
RCL(1)-XX	1	14499-XX	XX =
RCL(2)-XX	1	14499-XX	XX =

NOTE: WHEN SHIPPING BULK HOSE AND FITTINGS, SEND THE FOLLOWING QUANTITY OF ITEMS: HOSE, PART #H014500, 60 FEET FITTINGS, PART #FF14502, 20 PIECES

HOW TO MEASURE HOSE LENGTHS:



IMPORTANT: LEAVE ROOM FOR PRESS AND CLAMP MOVEMENT!

# DI-4L00

PFA, INC. N118 W18251 BLUNSEN DRIVE, GERMANTOWN, VI. 23022 262-250-4410, 262-250-4409 (fax), www.pfa-hc.com	
HEM 3-26-19	
SCALE	N.T.S.
SHEET	1 of 1
DRAWING NUMBER	
DI-4L00	